

INTERNAL TRIMMING

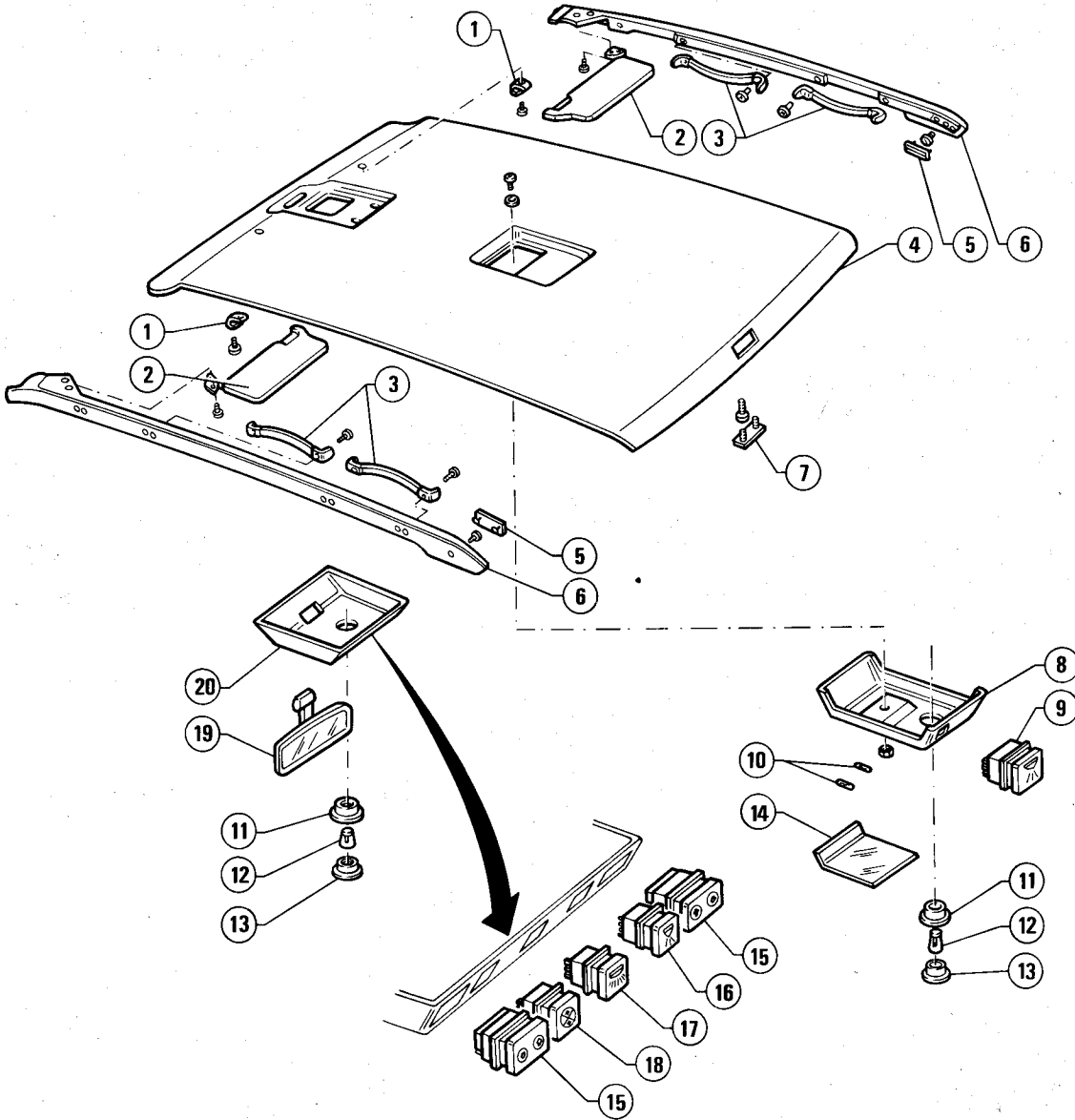
GROUP 66

CONTENTS

TRIM.....	66-2	Front seats.....	66-10
Roof trim.....	66-2	Rear seat.....	66-13
Floor trim.....	66-4	CONSOLES.....	66-14
Central pillar trim and front seat belts.....	66-5	Central console.....	66-14
Trim of shelf under rear window and rear pillars.....	66-7	Radio console.....	66-16
Boot trim.....	66-8	DASHBOARD.....	66-17
Rear trim.....	66-9	SERVICE DATA AND SPECIFICATIONS.....	66-22
SEATS.....	66-10	Tightening torques.....	66-22

TRIM

ROOF TRIM



- 1 Sunshade support
- 2 Sunshade
- 3 Passenger handle
- 4 Roof trim
- 5 Side fitting
- 6 Side finishing trim
- 7 Rear fitting
- 8 Central panel
- 9 Central spot light switch
- 10 Lamps

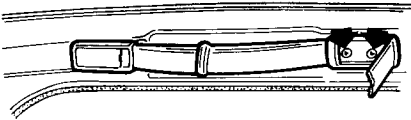
- 11 Lampholder
- 12 Lamp
- 13 Spot light
- 14 Transparent cover
- 15 Front power windows switch
- 16 Front spot light switch
- 17 Roof lamp switch
- 18 Rear power windows inhibitor switch
- 19 Rearview mirror
- 20 Front panel

INTERNAL TRIMMING

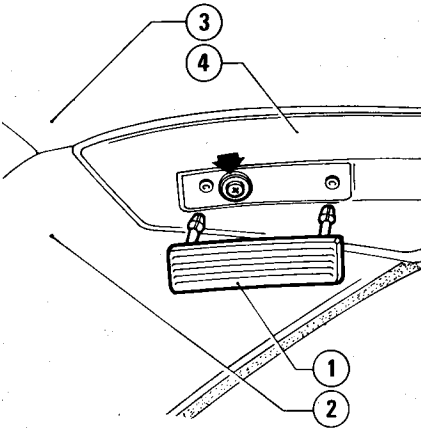
REMOVAL AND INSTALLATION

Take care not to dirty the roof trim.

1. Unscrew the four screws securing sunshades to roof, and remove them.
2. Open the protection covering the screws securing passenger handles to roof; unscrew them, and remove handles.

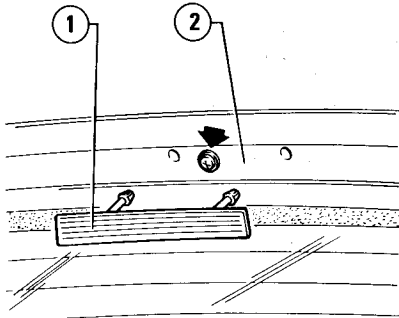


3. Use a suitable tool to remove the two fittings (1), unscrew the screws underneath, and remove trims (4).



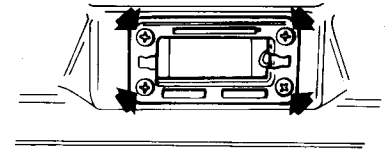
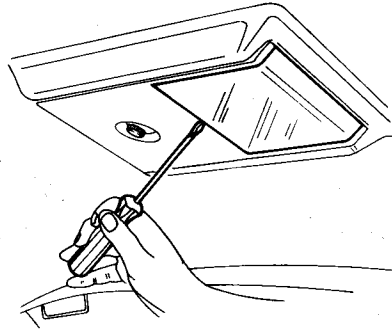
- 1 Side fitting
- 2 Rear pillar trim
- 3 Roof trim
- 4 Side finishing trim

4. Remove the rearview mirror that has been pushed into place.
5. Use a suitable tool to remove rear fitting (1), and unscrew the screw underneath.



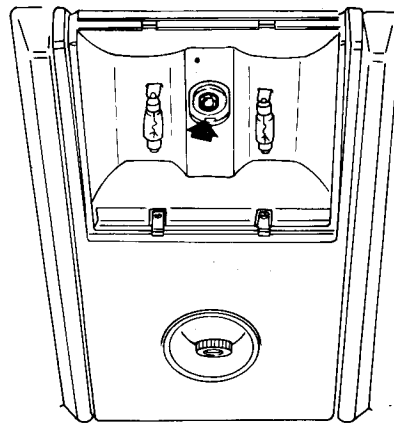
- 1 Rear fitting
- 2 Roof trim

6. Use a screwdriver to remove the passenger compartment roof lamp transparent cover.



13. Install the roof trim by reversing the order of removal.

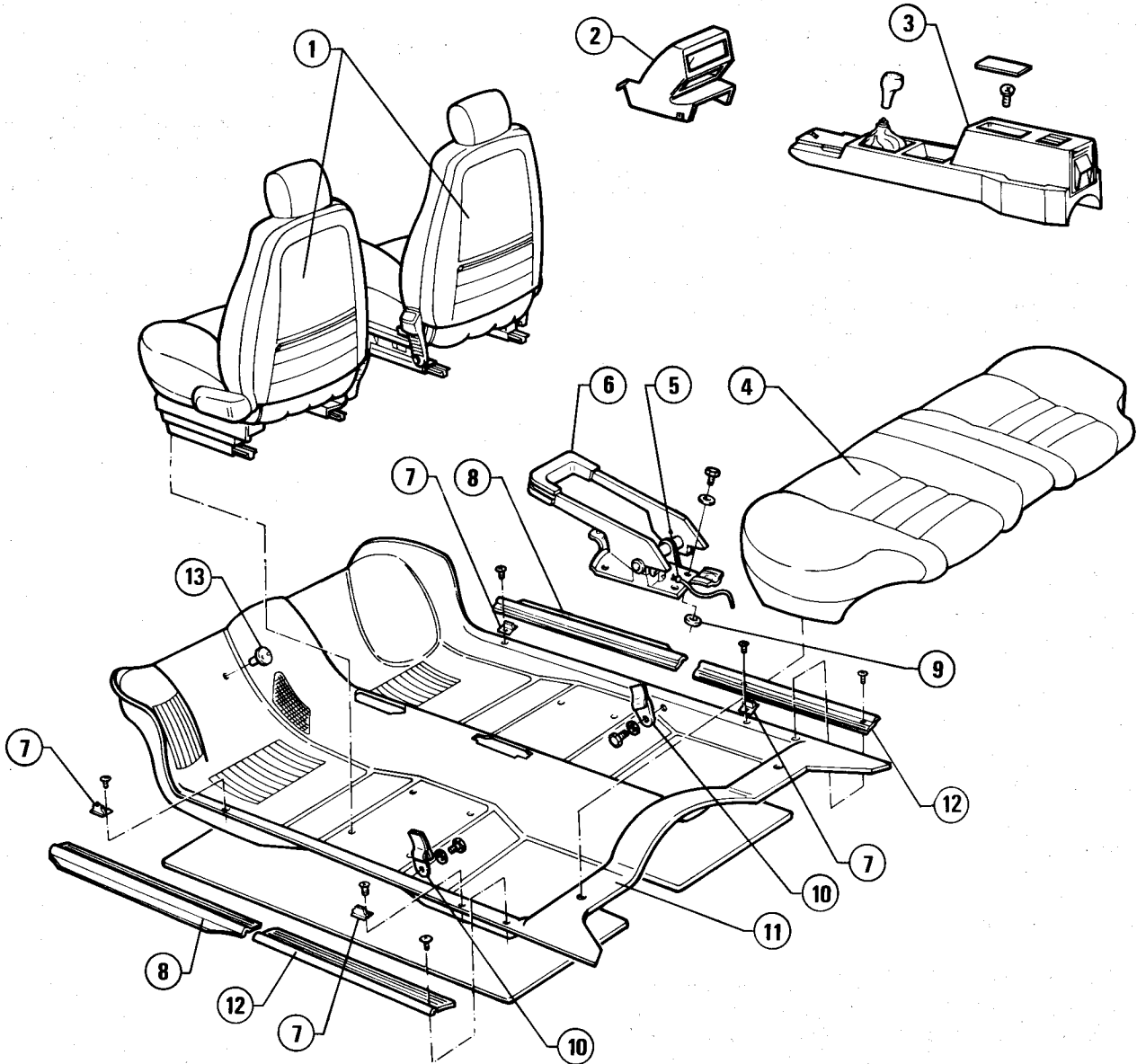
7. Tilt the front seats back to permit roof trim to be removed from vehicle.
8. Unscrew the nut securing roof trim to roof.



9. Lower the roof trim, and disconnect the roof services cable.
10. Remove the roof trim through one of the front doors.
11. If necessary, operate as follows to remove both central and rear panels from roof trim.
 - a. Remove all the switches present and the spotlights (refer to: Group 40 - Inside Lighting).
 - b. Unscrew the screws securing the panels to roof trim, and remove them.
12. If necessary, to remove the rearview mirror support, unscrew the four screws securing it to roof trim.

INTERNAL TRIMMING

FLOOR TRIM



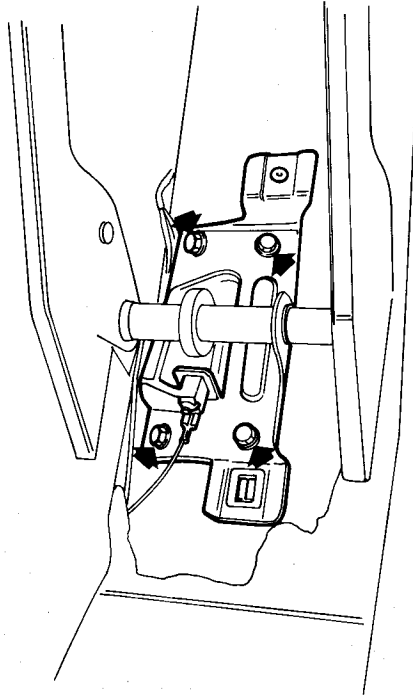
- | | |
|--------------------------------------|------------------------------------|
| 1 Front seats | 7 Clip securing kickplate |
| 2 Car radio console | 8 Front kickplate |
| 3 Central console | 9 Spacer |
| 4 Rear seat | 10 Seat belt anchors |
| 5 Switch indicating parking brake on | 11 Soundproofing material trim |
| 6 Parking brake | 12 Rear kickplate |
| | 13 Accelerator pedal end-of-travel |

INTERNAL TRIMMING

REMOVAL AND INSTALLATION

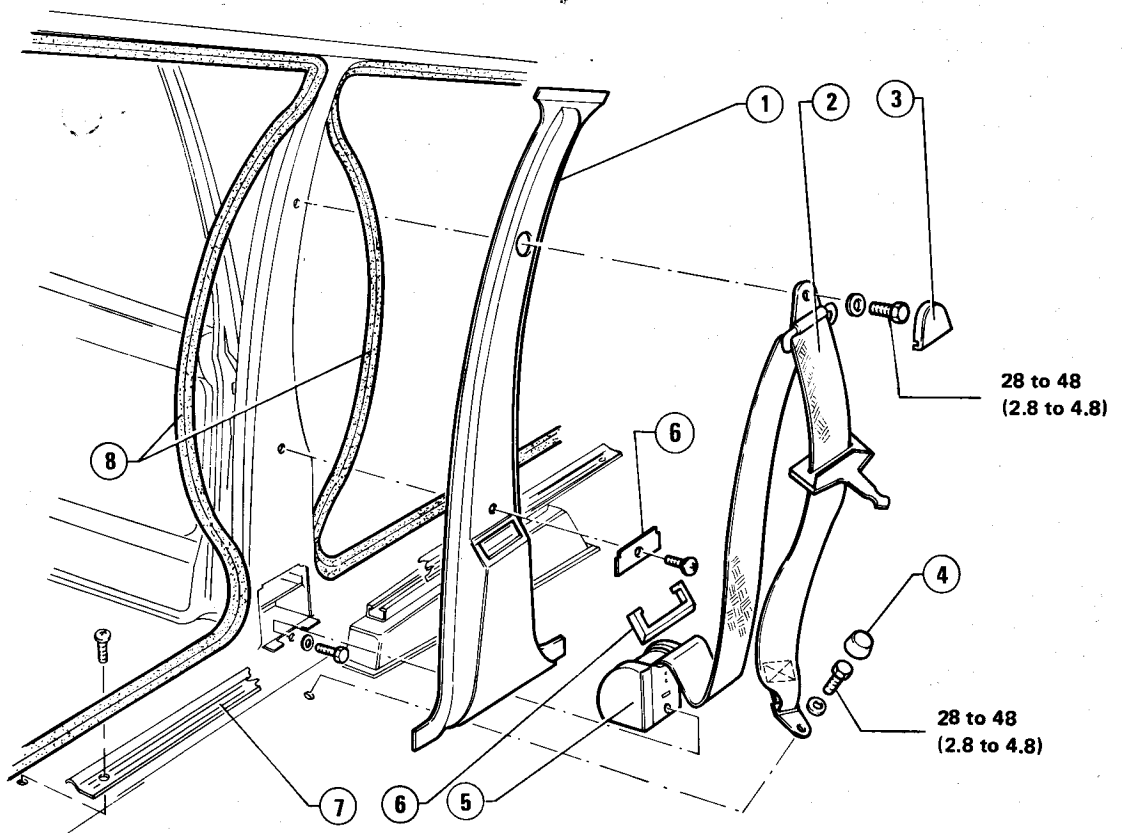
Refer to the exploded view and proceed as follows:

1. Remove front seats (1), rear seat (4), central console (3), radio console (2) and seat belt anchors (10) (see respective paragraphs).
2. Remove front kickplates (8), unscrew the six screws securing front clips (7) to body, and remove them.
3. Unscrew the screw securing rear kickplates (12), and remove them. Unscrew the four screws securing rear clips (7) to body, and remove them.
4. Use a suitable tool to extract the accelerator pedal end-of-travel (13), and remove it.



5. Remove the seals of front door frames, in the section where they cover the floor trim.
6. Unscrew the four screws securing brake lever (6) to body. Recover spacers (9).
7. Disconnect the parking brake cable from rear wheels (refer to: Group 22 - Parking Brake of "WORKSHOP MANUAL - mechanical units").
8. Disconnect switch (5) wiring.
9. Remove the floor trim by withdrawing it from the parking brake.
10. Install the floor trim by reversing the order of removal. Install the parking brake cables, then proceed to adjust the brake according to the procedures described in Group 00 - Chassis and Body Maintenance

CENTRAL PILLARS TRIM AND FRONT SEAT BELTS



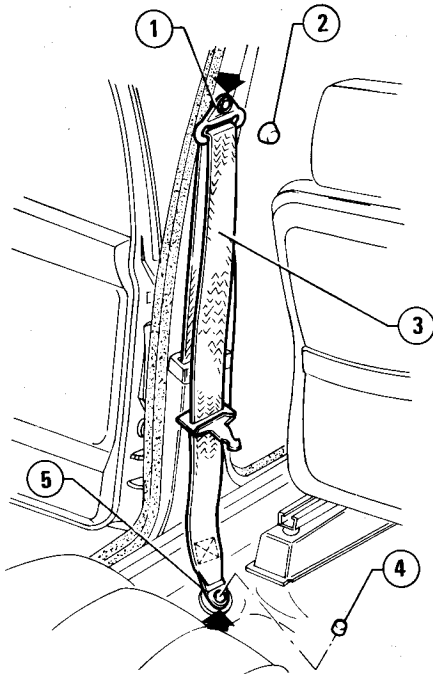
⊕ N-m
(kg-m)

- | | |
|----------------------------------|--------------------------|
| 1 Central pillar trim | 5 Retractor |
| 2 Seat belt | 6 Frame |
| 3 Seat belt anchor bracket cover | 7 Kickplate |
| 4 Protective covering | 8 Door frame seal rubber |

INTERNAL TRIMMING

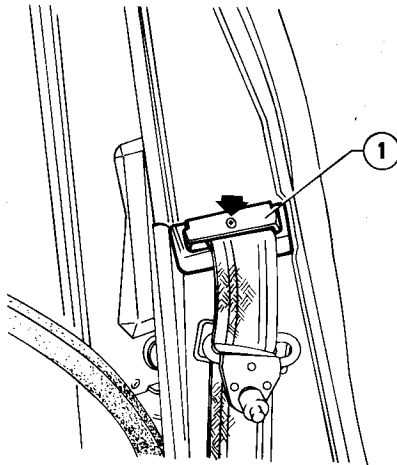
REMOVAL AND INSTALLATION

1. Move the front seat completely forward.
2. Remove the portion of front and rear door frame rubber seal covering pillar trim.
3. Remove protective covering (2) and unscrew the screw securing support (1) to body, and remove it.
4. Remove protective covering (4) and unscrew the screw securing bracket (5) to body.



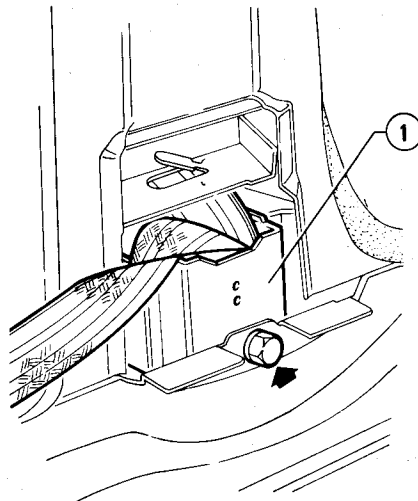
- 1 Seat belt support
- 2 Protective covering
- 3 Seat belt
- 4 Protective covering
- 5 Seat belt anchor bracket

5. Unscrew the screw securing rim (1), and remove it.



- 1 Rim

6. Remove pillar by withdrawing it from seat belt.
7. Remove the rear seat. Unscrew the rear screw and remove the kickplate that has been pushed into place.
8. Unscrew the screw securing retractor (1) to body. Remove the seat belt.



- 1 Retractor

9. Install the seat belt and pillar trim by reversing the order of removal. All screws of seat belt anchors must be tightened to the prescribed torque.

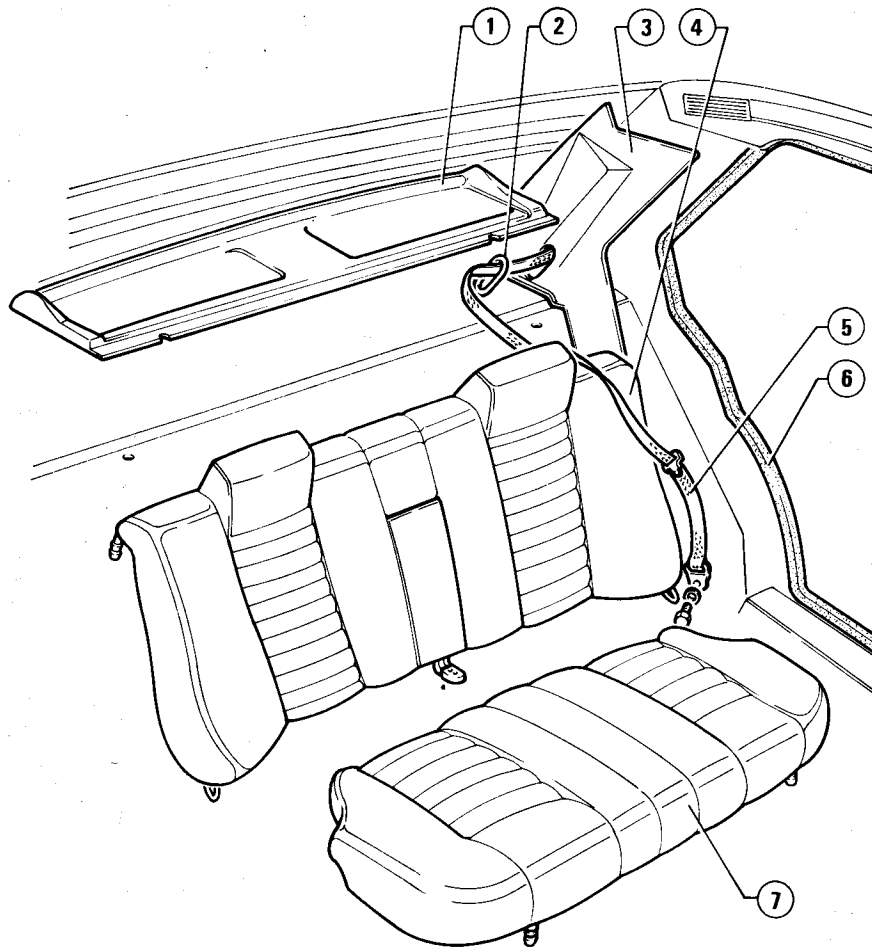
T : Tightening torque
 Screws securing seat belts
 28 to 48 N·m
 (2.8 to 4.8 kg·m
 20.2 to 34.7 ft·lb)

CAUTION:

If the vehicle is involved in a collision when the seat belts are being worn replace the belts even if they show no apparent damage.

INTERNAL TRIMMING

TRIM OF SHELF UNDER REAR WINDOW AND REAR PILLARS



- 1 Trim of shelf under rear window
- 2 Rim
- 3 Pillar trim
- 4 Seat back
- 5 Seat belt (optional)
- 6 Door frame seal
- 7 Seat

REMOVAL AND INSTALLATION

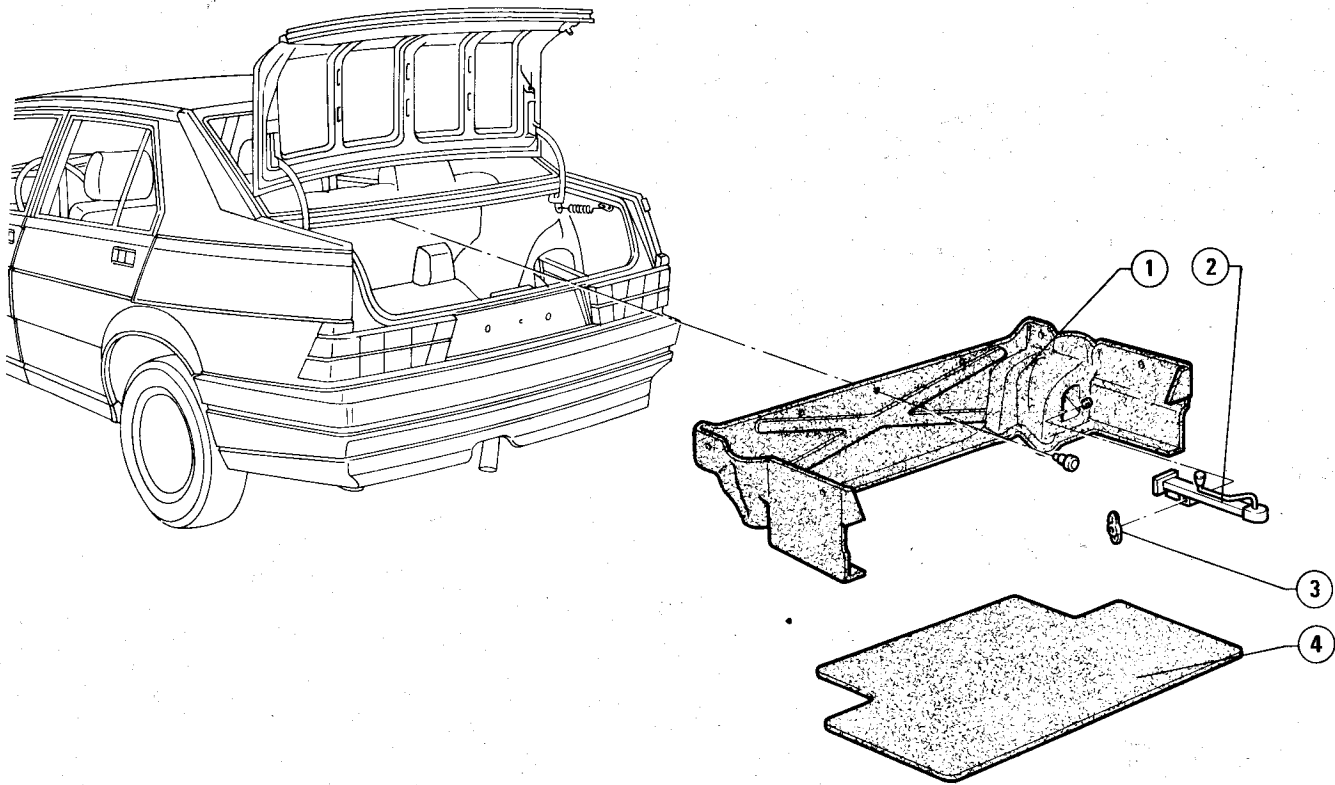
1. Remove both rear seat and seat back (refer to: Rear Seat).
2. Remove the trim of shelf under rear window, withdrawing it from the rear slots.

3. If the side seat belt is present, unscrew the screw securing the seat belt anchor to floor pan.
4. Remove the portion of door frame seal covering the pillar trim.

5. Remove the pillar trim secured to body with a plastic rivet.
6. Install trims by reversing the order of removal.

INTERNAL TRIMMING

BOOT TRIM



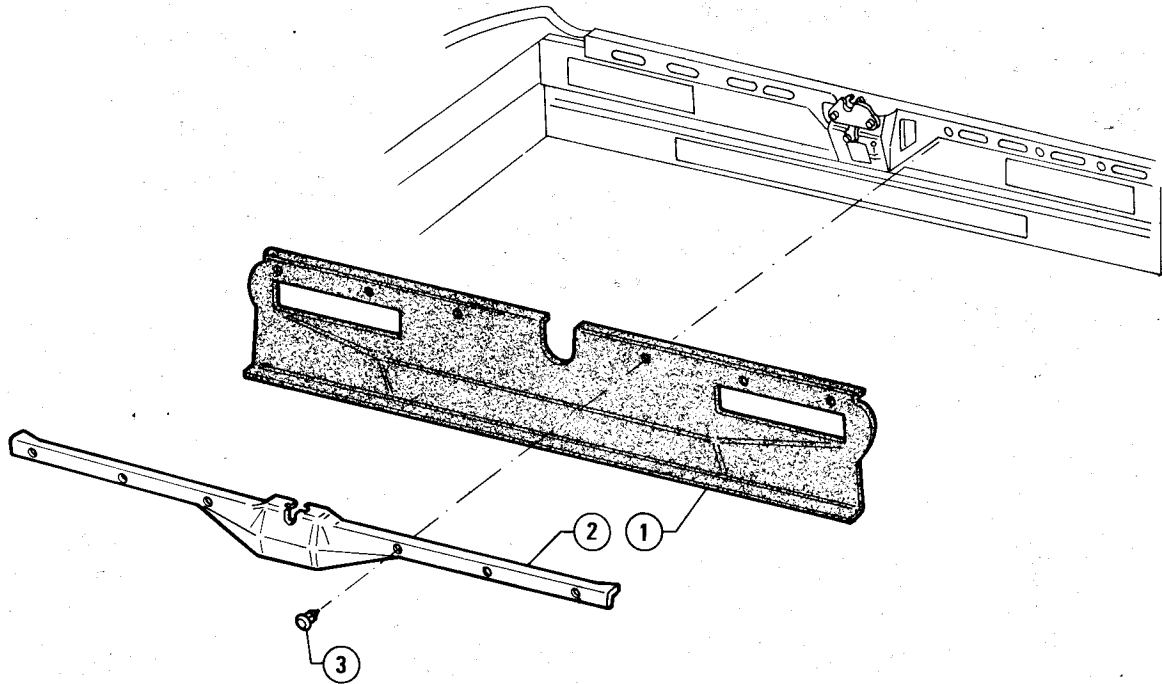
- 1 Boot side trim
- 2 Jack
- 3 Nut securing jack
- 4 Boot floor trim

REMOVAL AND INSTALLATION

Refer to the exploded view and proceed as follows:

1. Operating from inside the boot, remove the boot floor trim (4).
2. Unscrew nut (3) and remove jack (2).
3. Remove the three plastic rivets securing side trim (1) to body, and remove it.
4. Refit side trim and boot floor by reversing the order of removal.

REAR TRIM

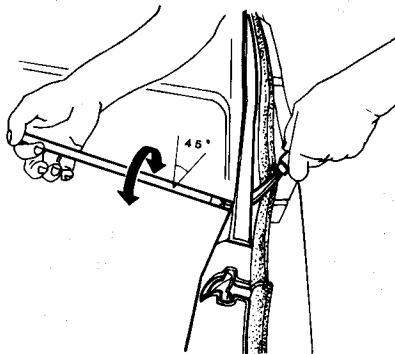


- 1 Rear trim
- 2 Plastic protective covering
- 3 Plastic rivet

REMOVAL AND INSTALLATION

Refer to the exploded view and proceed as follows.

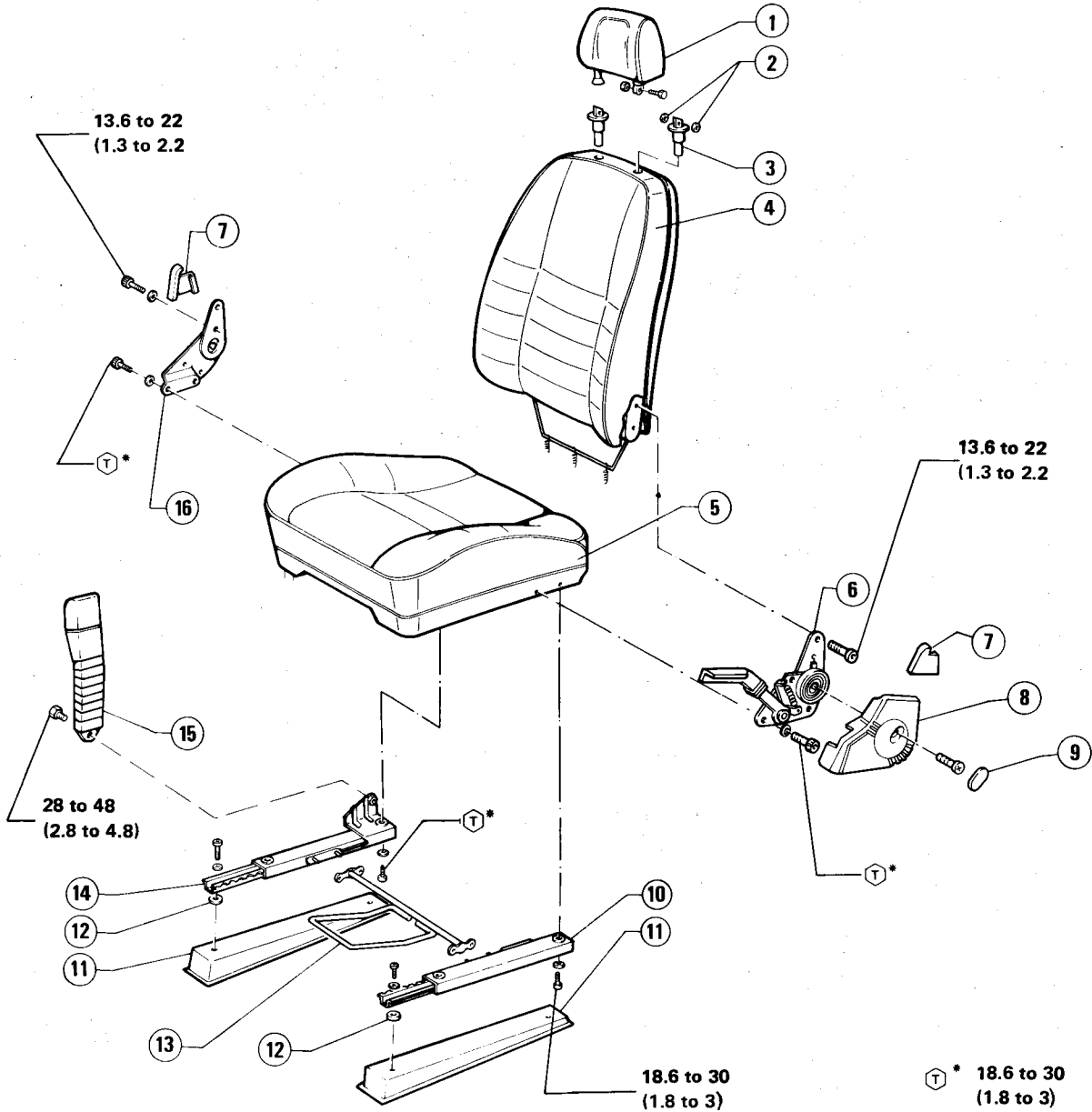
1. Use a suitable tool to rotate the six plastic rivets by 45°, and remove them by operating as per figure.



- 2. Remove protective covering (2) and rear trim (1).
- 3. Install the rear trim and the plastic protective covering by reversing the order of removal.

SEATS

FRONT SEATS



⊕* 18.6 to 30
(1.8 to 3)

⊕ N·m
(kg·m)

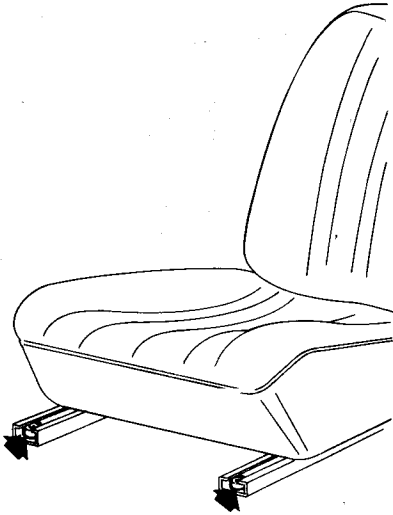
- | | |
|---|--------------------------------|
| 1 Head rest | 9 Fitting |
| 2 Spacers | 10 Seat runner |
| 3 Head rest support | 11 Plastic protective covering |
| 4 Seat back | 12 Spacer |
| 5 Seat | 13 Seat slide control lever |
| 6 Seat back inclination adjustment device | 14 Seat runner |
| 7 Plastic protective covering | 15 Seat belt anchor |
| 8 Plastic trim | 16 Hinge |

INTERNAL TRIMMING

REMOVAL AND INSTALLATION

Take care not to dirty the seat and seat back upholstery.

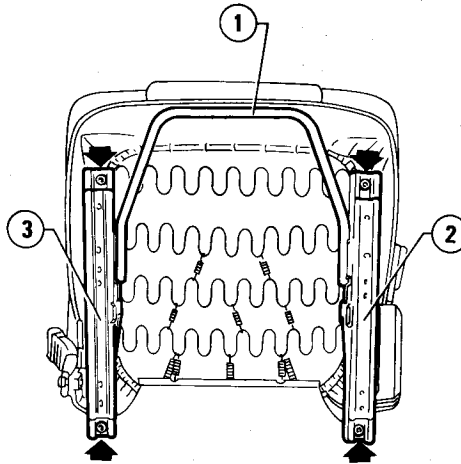
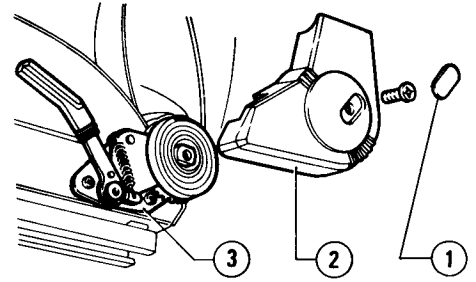
1. Move the seat backwards completely, and unscrew the two front screws securing runners to floor.



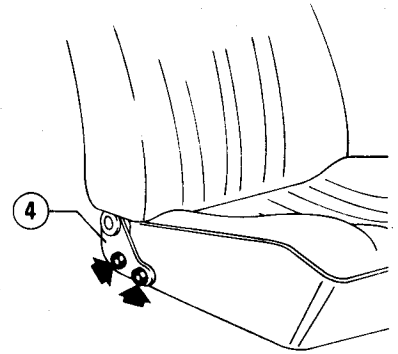
4. If required, remove the runners from the seat.

a. Using lever (1), move runners (2) and (3) completely backwards, and unscrew the two front screws securing runners to the seat.

b. Move the runners completely forwards, and unscrew the two rear screws securing runners to seat.

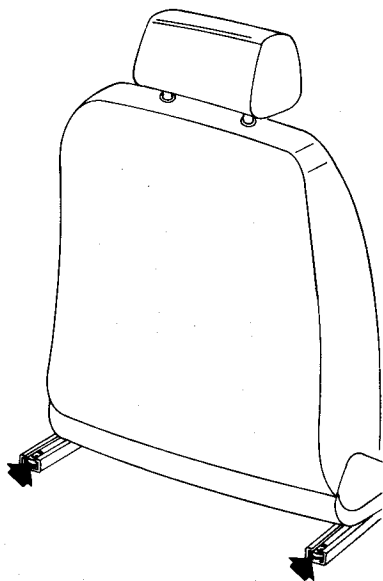


- 1 Seat slide control lever
- 2 Seat runner
- 3 Seat runner



- 1 Fitting
- 2 Plastic trim
- 3 Seat back inclination adjustment device
- 4 Hinge

2. Recline the seat back forwards, move the seat forwards completely, and unscrew the two rear screws securing runners to floor.



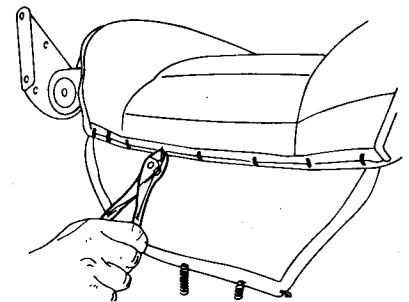
c. Remove the two runners and the seat slide control lever.

d. Install the runners and the control lever by reversing the order of removal. Tighten the screws to the prescribed torque.

T : Tightening torque
 Screws securing runners to seat
 18.6 to 30 N·m
 (1.8 to 3 kg·m)
 13 to 21.7 ft·lb

c. Release the three clamps securing the seat back trim to seat. Remove the seat.

d. Using a suitable tool, remove the clips securing the trim, and raise this last until uncovering the protections of the screws securing the seat back adjustment device and hinge to the seat back.



3. Remove the seat together with runners. Recover the spacers underneath.

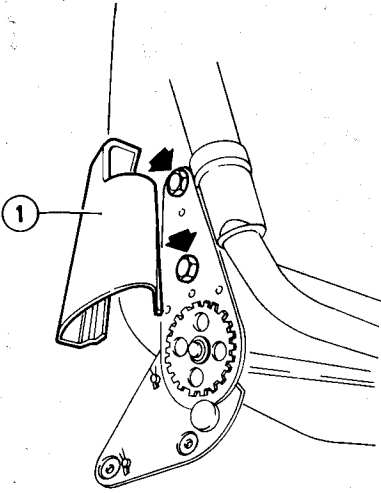
5. If necessary, separate the seat from the seat back, by operating as follows.

a. Remove fitting (1), and unscrew the screw securing trim (2) to device (3), and remove it.

b. Unscrew the four screws securing device (3) and hinge (4) to the seat.

INTERNAL TRIMMING

e. Remove plastic protective covering ①, and unscrew the four screws securing the seat back adjustment device and hinge to the seat back; remove them.



1 Plastic protective covering

f. Install the seat back by reversing the order of removal. Tighten the screws securing the seat back adjustment device and hinge to the prescribed torque.

ⓧ : Tightening torques

Screws securing the seat back adjustment device and hinge to the seat

18.6 to 30 N·m

(1.8 to 3 kg·m)

13 to 21.7 ft·lb)

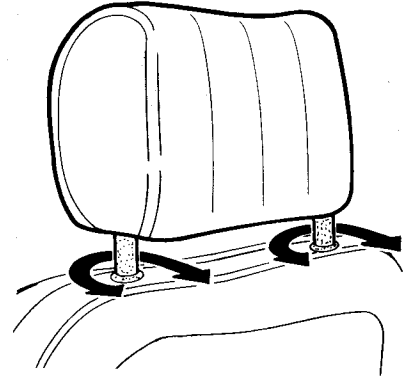
Screws securing the seat back adjustment device and hinge to the seat back

13.6 to 22 N·m

(1.3 to 2.2 kg·m)

9.4 to 15.9 ft·lb)

6. If required, remove the headrest by rotating the pins until the securing clamps are released.



7. Install the seat on vehicle by reversing the order of removal. Tighten the screws securing seat runners to floor to the prescribed torque.

ⓧ : Tightening torque

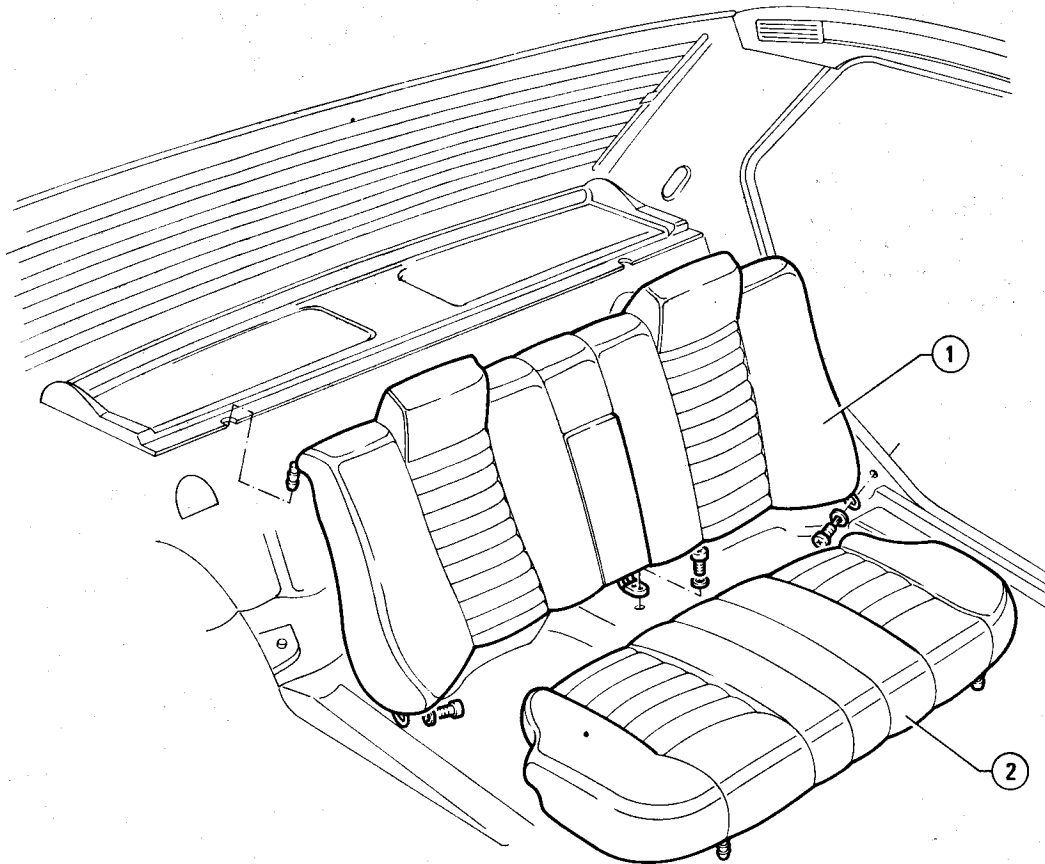
Screws securing seat runners to floor

18.6 to 30 N·m

(1.8 to 3 kg·m)

13 to 21.7 ft·lb)

REAR SEAT



- 1 Seat back
- 2 Seat

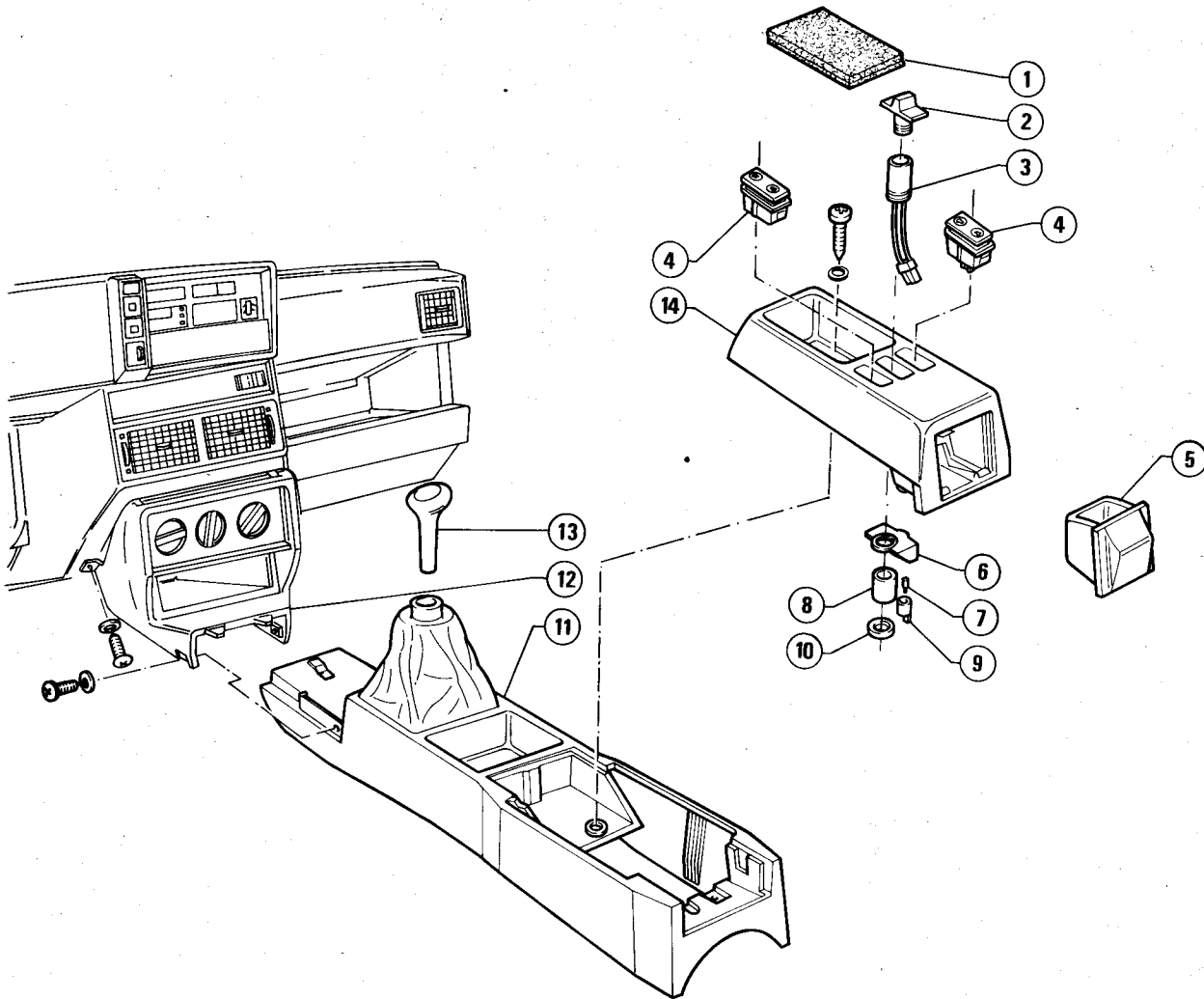
**REMOVAL AND
INSTALLATION**

Take care not to dirty the seat and seat back upholstery.

1. Lift and remove the seat.
2. Unscrew the three screws securing the seat back to body, lift it and remove.
3. Install the seat back and seat by reversing the order of removal.

CONSOLES

CENTRAL CONSOLE

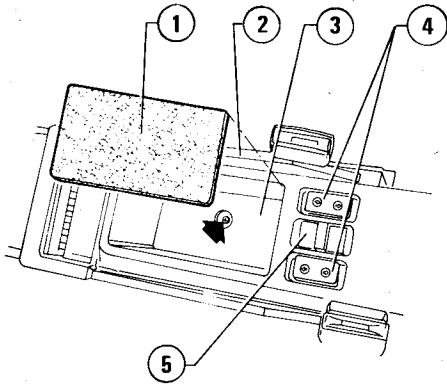


- | | |
|------------------------------|----------------------|
| 1 Trim | 8 Bush |
| 2 Cigar lighter | 9 Lampholder |
| 3 Cigar lighter seat | 10 Ring nut |
| 4 Rear power window switches | 11 Central console |
| 5 Ashtray | 12 Radio console |
| 6 Transparent cover | 13 Knob |
| 7 Lamp | 14 Console rear part |

INTERNAL TRIMMING

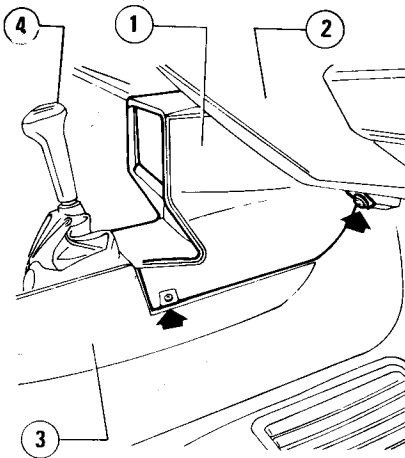
REMOVAL AND INSTALLATION

1. Remove trim (1), and unscrew the screw securing console to body. Remove the console rear part (3) by disconnecting the wiring of cigar lighter (5) and switches (4).



- 1 Trim
- 2 Parking brake
- 3 Console rear part
- 4 Rear power window switches
- 5 Cigar lighter

2. Remove the gear stick knob (4).
3. Unscrew the four screws securing radio console (1) to central console (3) and dashboard (2).

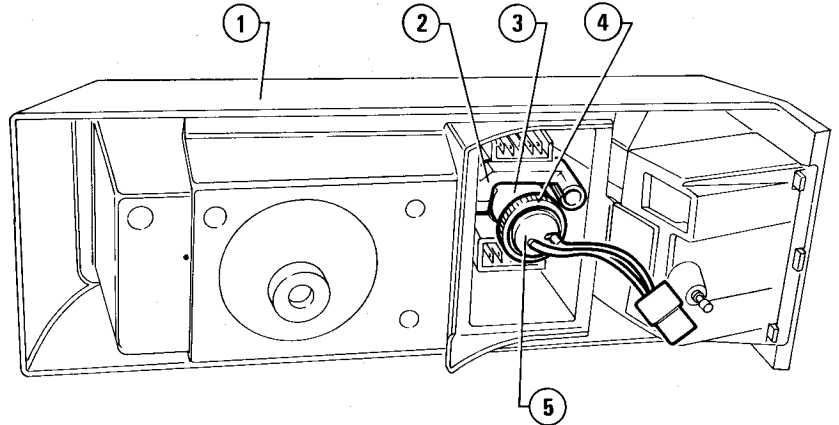


- 1 Radio console
- 2 Dashboard
- 3 Central console
- 4 Knob

4. Move the central console towards the passenger compartment rear side so as to release it from the radio console.

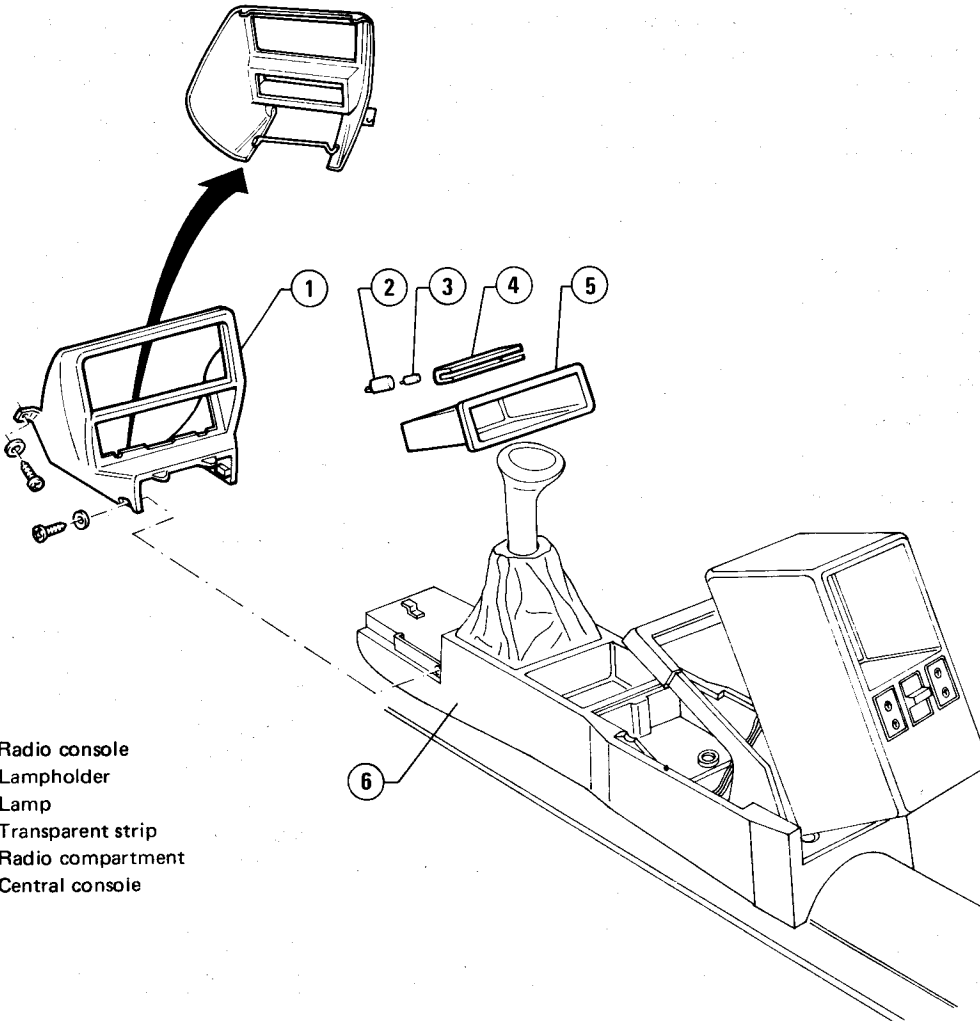
5. Lift the parking brake lever and move the central console forwards; remove this last by withdrawing it carefully from speed gear lever.

6. If required, to remove the cigar lighter from rear side of console (1), unscrew ring nut (4), withdraw bush (3), transparent cover (2), and remove the cigar lighter seat (5).
7. Install the console by reversing the order of removal.



- 1 Console rear part
- 2 Transparent cover
- 3 Bush
- 4 Ring nut
- 5 Cigar lighter seat

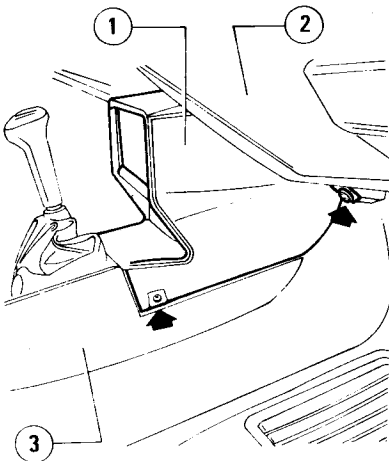
RADIO CONSOLE



- 1 Radio console
- 2 Lampholder
- 3 Lamp
- 4 Transparent strip
- 5 Radio compartment
- 6 Central console

REMOVAL AND INSTALLATION

1. Unscrew the four screws securing radio console ① to dashboard ② and central console ③.



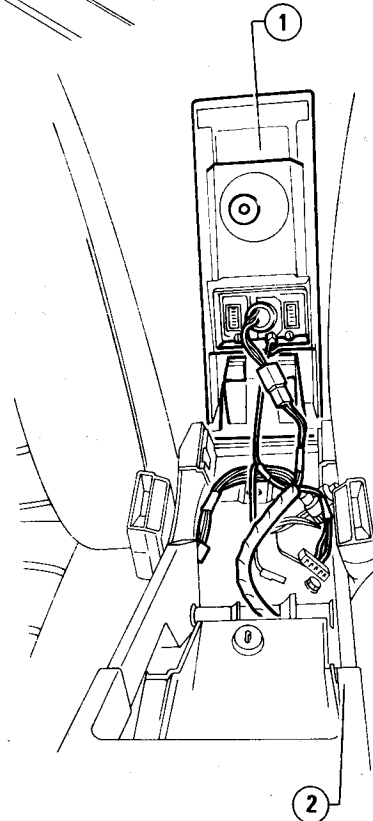
- 1 Radio console
- 2 Dashboard
- 3 Central console

2. Remove the trim located inside the central console object holder. Unscrew the screw securing central console to body. Release the console rear part and, without disconnecting wiring, overturn it towards the passenger compartment rear side.

3. Lift the parking brake lever and move the central console towards the passenger compartment rear side, so as to release it from the radio console.

4. Remove the radio console by rotating it upwards and disconnecting the radio compartment light.

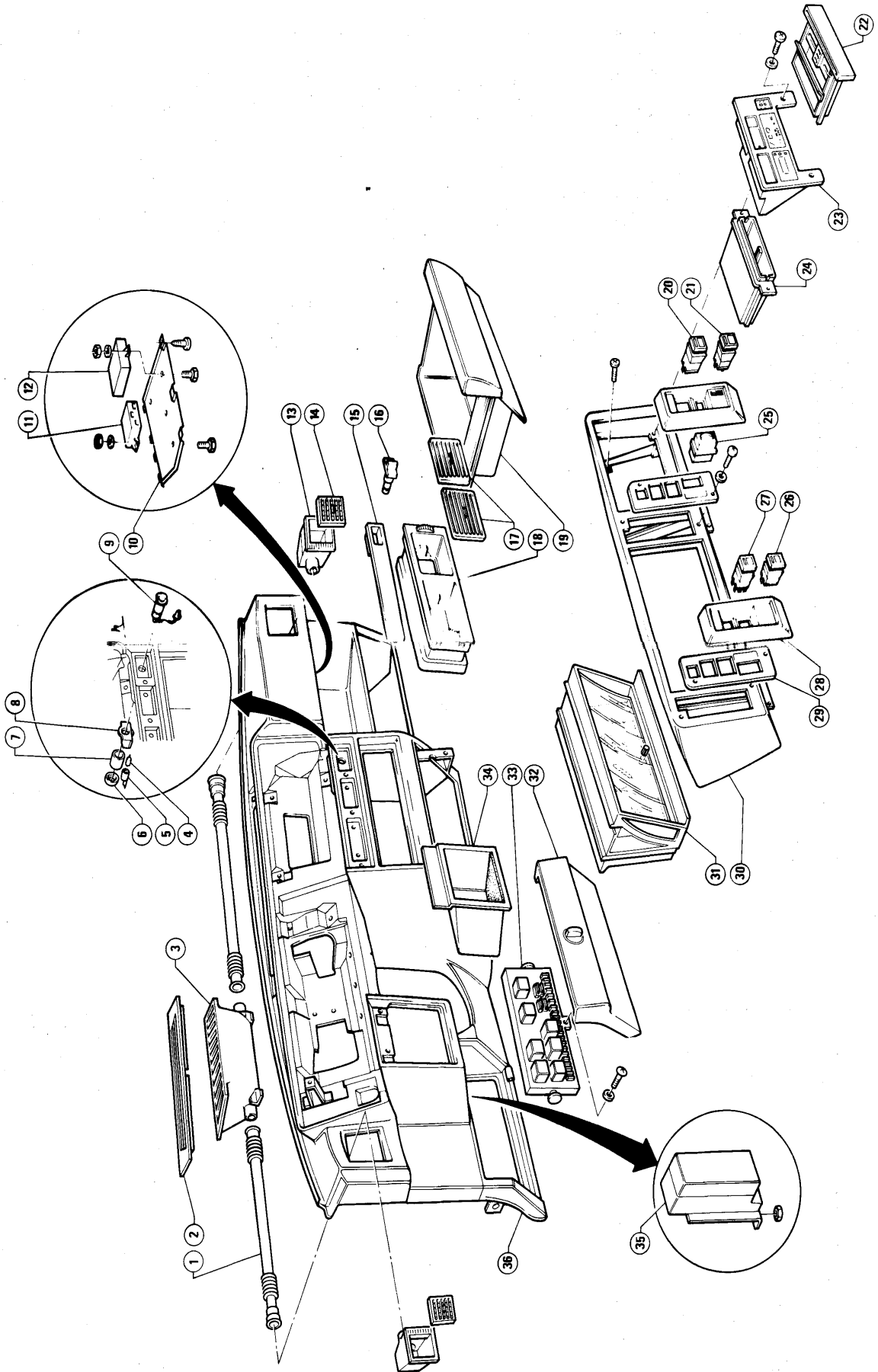
5. Install the radio console by reversing the order of removal.



- 1 Console rear part
- 2 Parking brake lever

DASHBOARD

- 1 Side defrosting air duct
- 2 Windscreen defrosting grille
- 3 Main defrosting air duct
- 4 Lamp
- 5 Lampholder
- 6 Ring nut securing cigar lighter
- 7 Spacer
- 8 Transparent cover
- 9 Cigar lighter seat
- 10 Panel
- 11 ALFA ROMEO Control control unit
- 12 Performance gauge control unit or tachimetric relay
- 13 Defrosting side vent support
- 14 Defrosting side vent
- 15 Fitting
- 16 Cigar lighter
- 17 Central ventilation vents
- 18 Central ventilation vents support
- 19 Glovebox
- 20 Rear fog lights switch
- 21 Fog lights switch
- 22 Ashtray
- 23 Instrument panel
- 24 Ashtray seat
- 25 Panel lighting dimmer rheostat
- 26 Hazard lights switch
- 27 Heated rear window switch
- 28 Cover
- 29 Finishing
- 30 Instrument panel dashboard
- 31 Cluster
- 32 Fuse compartment lid
- 33 Fuse board
- 34 Object holder compartment
- 35 Door locking control unit
- 36 Dashboard



INTERNAL TRIMMING

REMOVAL AND INSTALLATION

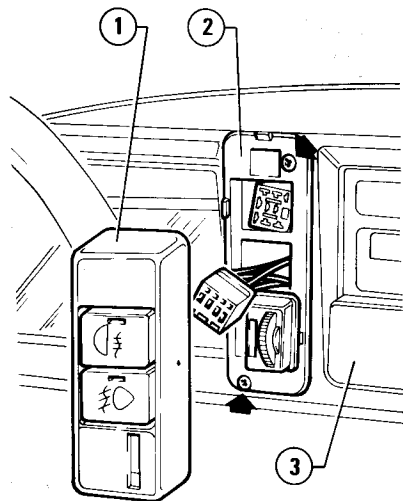
CAUTION:

- Disconnect the battery ground cable.
- Before removing components with wiring, check that the corresponding connections have been disconnected.

1. Remove the instrument panel dashboard.

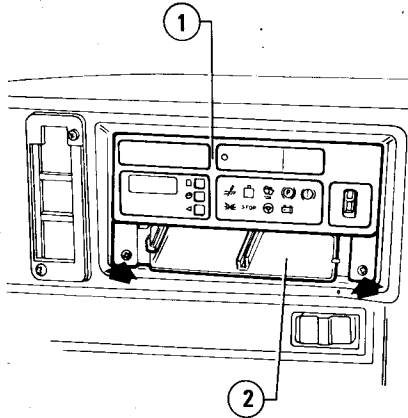
a. Remove the two finishings (1) that have been pushed into place, and disconnect the wiring of both switches and rheostat.

b. If required, unscrew the two screws securing the two frames (2) to the instrument panel dashboard, and remove the two frames.



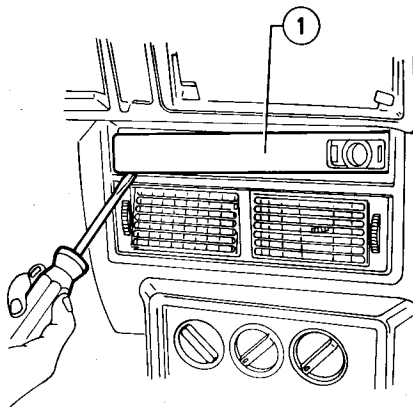
- 1 Finishing
- 2 Frame
- 3 Ashtray

c. Remove the ashtray and unscrew the two screws securing ashtray seat (2) and instrument panel (1) to dashboard. Remove both by disconnecting the instruments wiring.



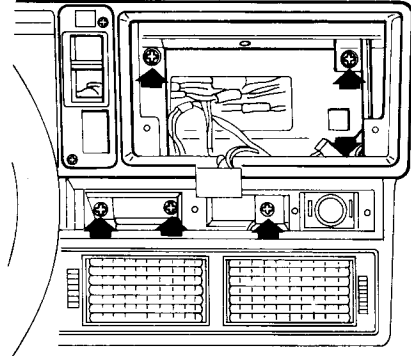
- 1 Instrument panel
- 2 Ashtray seat

d. Remove fitting (1).

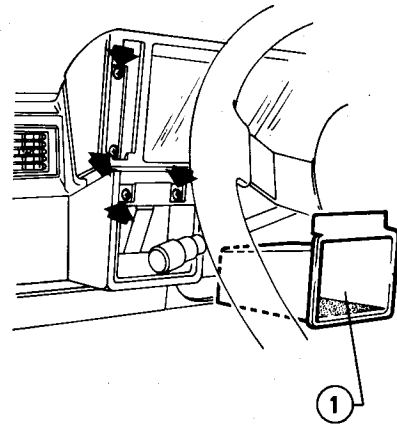


- 1 Fitting

e. Unscrew the six screws securing the instrument panel dashboard to ashboard.



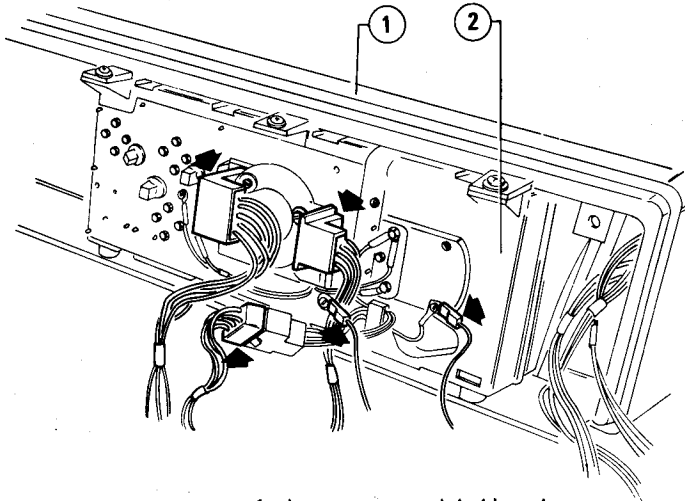
f. Remove glovebox (1), and unscrew the four screws securing the instrument panel dashboard to dashboard.



- 1 Glovebox

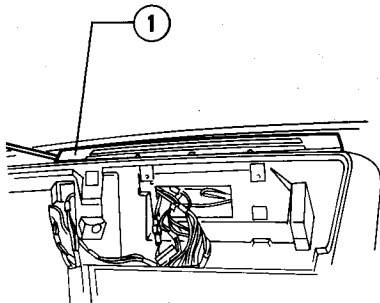
g. Rotate the instrument panel dashboard (1), disconnect cluster wiring (2), and remove dashboard (1).

INTERNAL TRIMMING



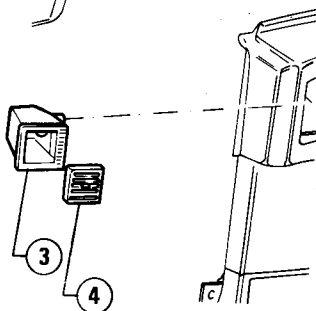
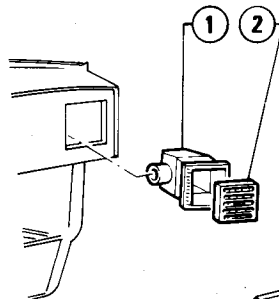
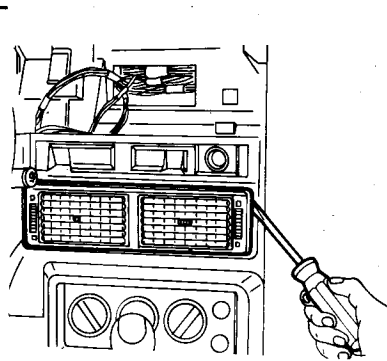
1 Instrument panel dashboard
2 Cluster

- h. If required, disconnect the cluster from the instrument panel dashboard by unscrewing the five securing screws.
- i. If required, disassemble cluster (refer to: Group 43 - Cluster and Electronic Instruments).
- l. If required, disassemble the instrument panel (refer to: Group 40 - Electronic devices).
- 2. Remove the dashboard.
 - a. Remove the steering wheel and the combination switch assembly (refer to: Group 23 - Steering Wheel and Column - Removal of the "WORKSHOP MANUAL - mechanical units").
 - b. Remove the radio console (refer to: Consoles - Radio Console).
 - c. Remove the windscreen defrosting grille ①.



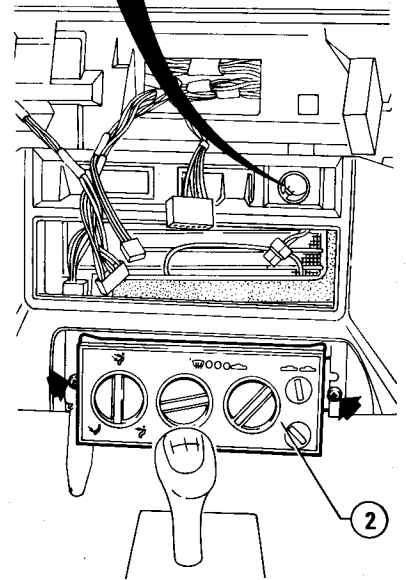
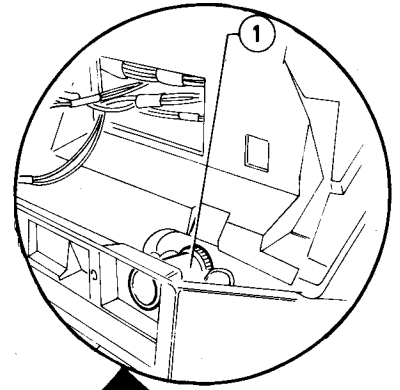
1 Defrosting grille

- d. Remove the support of the two ventilation central vents, and withdraw the two side vents complete with supports.



1 Right-hand support
2 Right-hand side vent
3 Left-hand support
4 Left-hand side vent

- e. Gain access through the air duct and disconnect cigar lighter wiring ①.
- f. Unscrew the two screws securing cluster ② to dashboard.

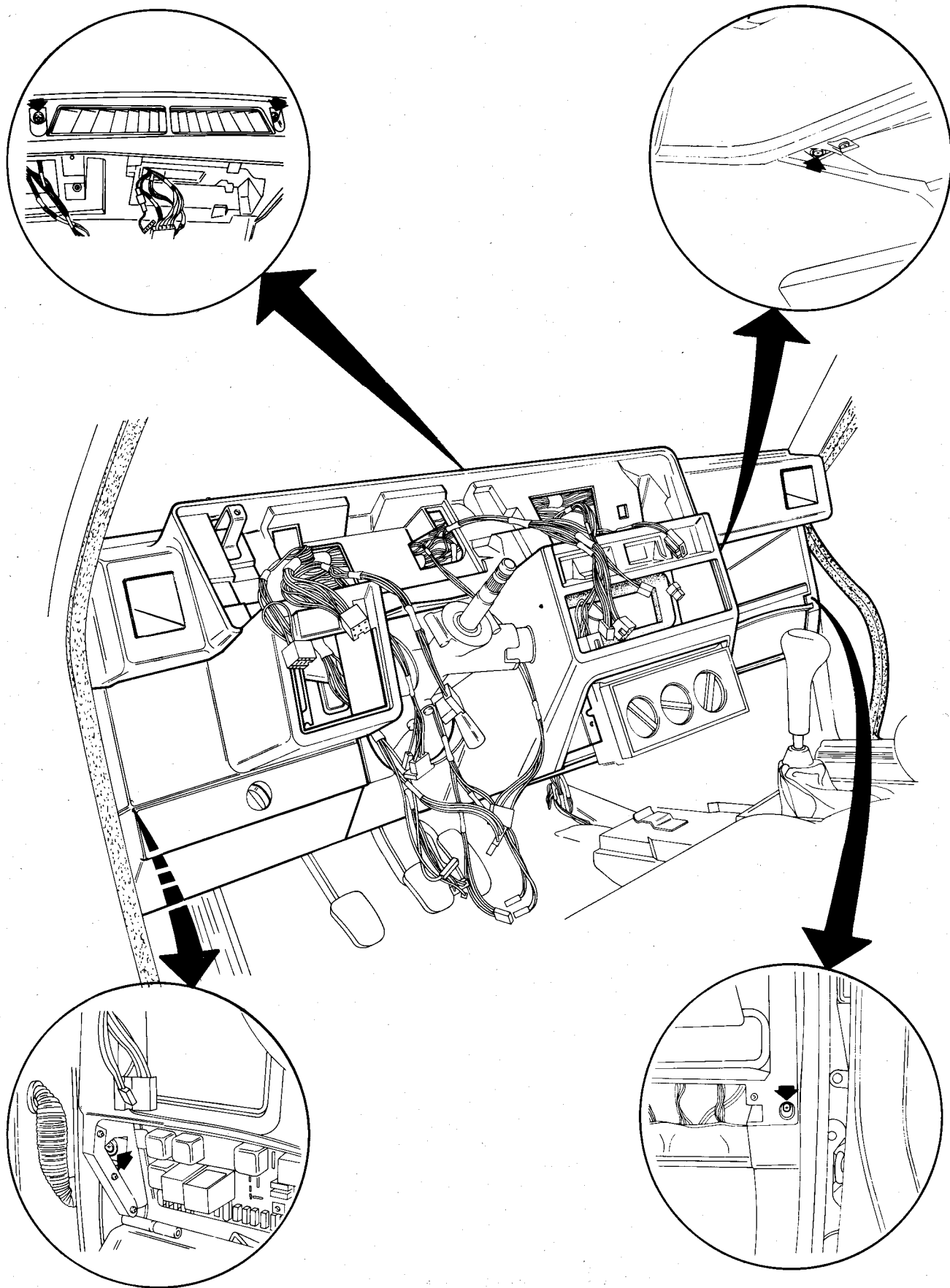


1 Cigar lighter wiring
2 Ventilation controls panel

- g. Open the glovebox completely, press slightly downwards, and extract it from the dashboard.
- h. Unscrew the five screws securing the dashboard to body.

CAUTION:
Two operators are needed to remove the dashboard.

INTERNAL TRIMMING



i. Lift the dashboard by releasing it from the two brackets. Disconnect wiring, and remove dashboard from

the vehicle taking care to remove it correctly from the ventilation

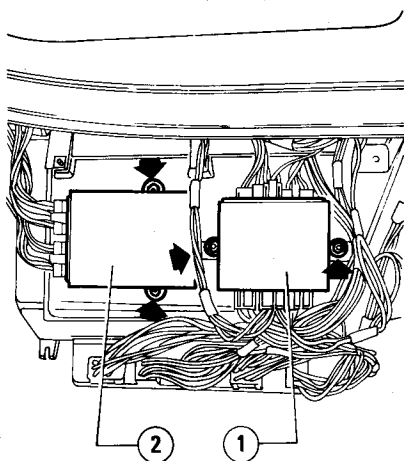
controls panel and the steering column.

INTERNAL TRIMMING

3. If required, disassemble the various components of the dashboard by operating as follows.

a. Disconnect the wiring of ALFA ROMEO Control (1) control unit, unscrew the two securing nuts and remove the control unit.

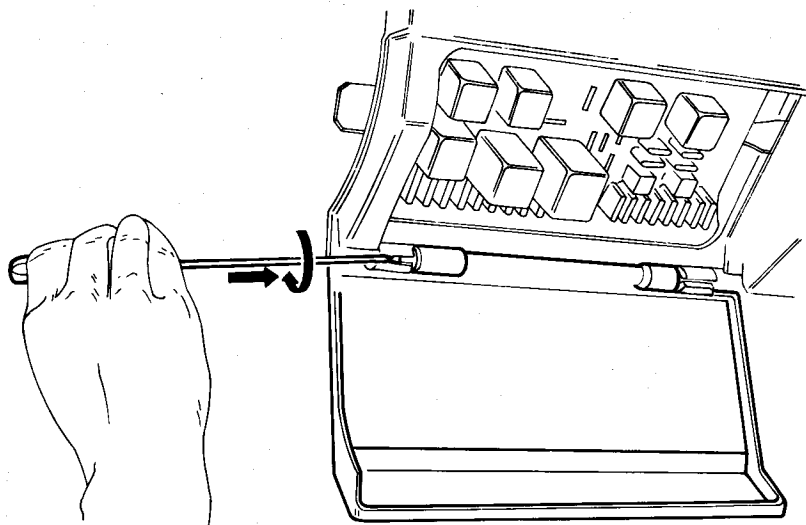
b. For the models equipped with the PERFORMANCE GAUGE control unit (1), or TACHIMETRIC SWITCH DEVICE (2), disconnect two related wiring, unscrew the securing nuts and remove the component.



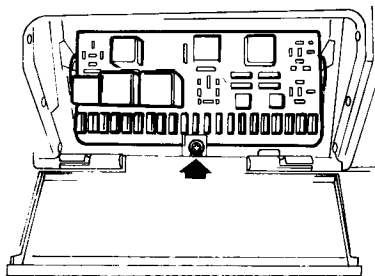
- 1 ALFA ROMEO Control
- 2 PERFORMANCE GAUGE or TACHIMETRIC SWITCH

c. Remove the ventilation air ducts (refer to: Group 80 - Servicing - Air Ducts).

d. Remove the fuse compartment lid by operating as per figure.

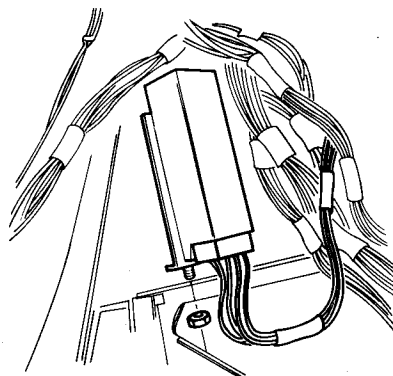


e. Unscrew the screw securing the fusebox. Remove the fusebox by letting its carriage slide on the two side guides.

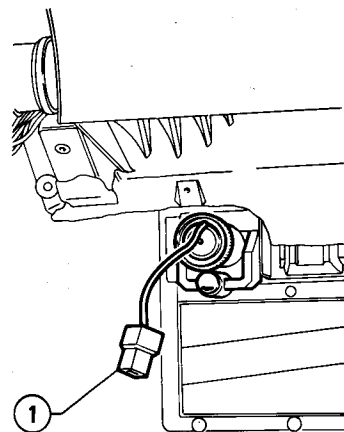


f. Disconnect wiring and remove the fuse board.

g. Remove the door locking control unit.



h. Unscrew ring nut (1), and remove the cigar lighter components from the dashboard.



- 1 Ring nut securing cigar lighter

i. Remove all wiring present on the dashboard.

4. Install the dashboard on the vehicle by reversing the order of removal. For installation of side defrost vents, refer to the procedures described in: "Group 80 - Servicing - Air Ducts".

SERVICE DATA AND SPECIFICATIONS

TIGHTENING TORQUES

Item	Unit of measurement	N·m	kg·m	ft·lb
SEAT BELTS				
Seat belt anchor screws		28 to 48	2.8 to 4.8	20.3 to 34.7
FRONT SEATS				
Screws securing runners to seat		18.6 to 30	1.8 to 3	13 to 21.7
Screws securing seat back adjustment device and hinge to seat back		13.6 to 22	1.3 to 2.2	9.4 to 15.9
Screws securing seat back adjustment device and hinge to seat		18.6 to 30	1.8 to 3	13 to 21.7
Screws securing seat runners to floor		18.6 to 30	1.8 to 3	13 to 21.7