

GROUP 40

CONTENTS

STANDARDS AND PRECAUTIONS FOR OPERATIONS ON ELECTRICAL SYSTEM	(*)	Lamps under rheostat (wiring diagram)	(*)
HOW TO READ THE WIRING DIAGRAM	(*)	SENSORS AND SENDERS	40-8
POWER SUPPLY DISTRIBUTION	40-3	Engine cooling down, lubrication and brakes and clutch liquid level (wiring diagram)	(*)
Power supply distribution diagram (wiring diagram)	(*)	Fuel supply (wiring diagram)	40-8
Fuses	40-3	Rev. counter and odometer (wiring diagram)	(*)
Ignition switch	(*)	WINDSCREEN WASH/WIPE AND HEADLIGHT WASHER	40-9
ELECTROMECHANIC DEVICES AND INTERMITTENCES	(*)	Windscreen wiper	(*)
LIGHTING SYSTEM	40-5	Windscreen wash/wipe and headlight washer (wiring diagram) ..	40-9
Lamps	(*)	ELECTRIC ACCESSORIES	40-10
Combination switch unit	(*)	Horns and heated rear window	(**)
External lighting-front side (wiring diagram)	(*)	Horns	(*)
External lighting-rear side (wiring diagram)	40-5	Heated rear window	(*)
Front combination lamps	(*)	Power windows (wiring diagram)	(*)
Side repeaters	(*)	Door-lock device (wiring diagram) ..	(*)
Rear combination lamps	(*)	Door-lock control unit	(*)
Rear refractive strip and number plate lights	(*)	Door-unlock switch	(*)
Fog lights and rear fog lights (wiring diagram)	40-6	Car radio, clock, headphones and cigar lighter (wiring diagram)	40-10
Inside lighting (for vehicles without sun roof) (wiring diagram) ..	(*)	Front cigar lighter	(*)
Inside lighting (for vehicles with sun roof) (wiring diagram)	40-7	Rear cigar lighter	(*)
		Clock	(*)
		Sun roof (wiring diagram)	40-11
		Electrical rearview mirrors (wiring diagram)	40-12

CONTENTS (cont.d)

TOW HOOK (wiring diagram) (*)	FUNCTIONAL DIAGRAM	40-15
WARNING LAMP PANEL (*)	KEY TO WIRING DIAGRAM	40-17
ELECTRONIC DEVICES		40-13
ALFA ROMEO Control (wiring diagram)		40-13

(*) As per **Alfa 75**

(**) As per **Alfa 75 16 18**

WARNING:

To read the wiring diagrams related to:

- INJECTION AND IGNITION refer to Group 00
- STARTING AND CHARGING SYSTEM refer to:
WORKSHOP MANUAL - Petrol engines - Group 05
- WIRING refer to the updating to be issued in the
near future.

POWER SUPPLY DISTRIBUTION

FUSES

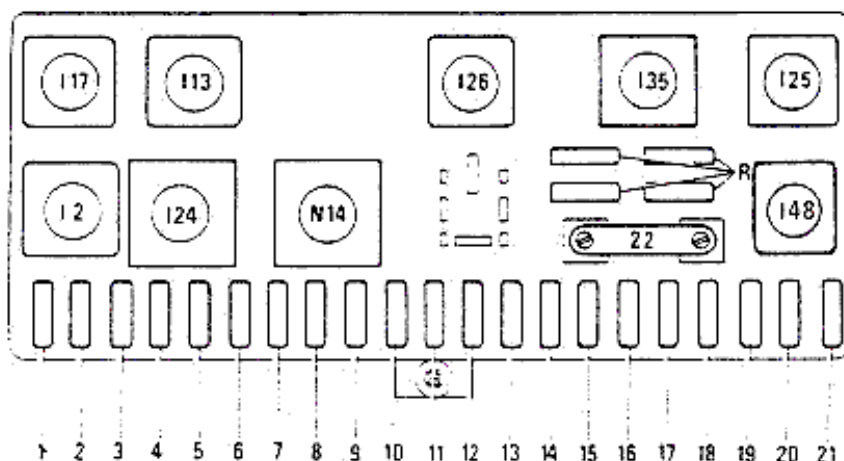
CAUTION:

- Should a fuse blow, before replacing it, make sure that the cause of failure has been removed.
- Use only fuses having same amperage. Do never use fuses having amperage greater than that prescribed.
- Insert the fuse correctly into its housing.

LOCATION

As per basic model without supercharging.

SERVICES PROTECTED BY FUSES



R: Spare fuses

- 12 Heated rear screen relay
- 113 Rear power window relay
- 117 Foglight relay
- 124 Side/Hazard lights relay
- 125 Rear fog light relay
- 126 Roof lamp relay
- 135 Key operated supply relay
- 148 Ignition switch-operated relay for ALFA ROMEO Control and instruments
- N14 Windscreen wiper intermittence

The following table specifies the services which are protected by each fuse.

Table "Fuses"

Fuse Number	Service Protected	Ampere	Model	
			LHD	RHD
1	Fog light	15	X	X
2	Door lock	10	X	X
3	Heated rear window	20	X	X
4	Headlight washer	20	X	X
5	Rear power window	25	X	X

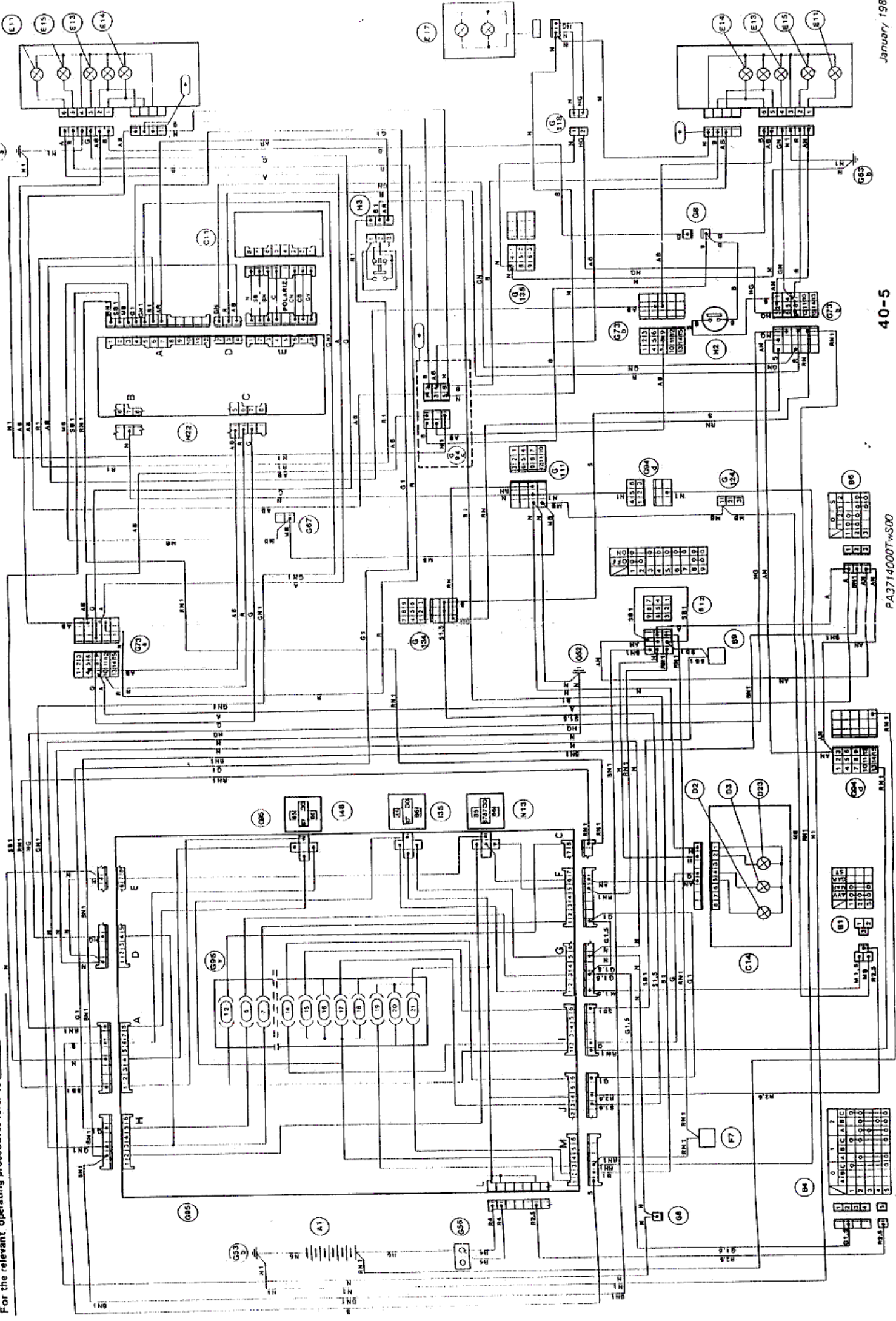
Table "Fuses" (Continued)

Fuse Number	Service Protected	Amps	Model	
			LHD	RHD
6	Front left and rear right side lights	7.5	X	X
7	Front right and rear left side lights	7.5	X	X
8	Left full beam	7.5	X	X
9	Right full beam	7.5	X	X
10	Right low beam	10	X	X
11	Left low beam	7.5	X	X
12	ALFA ROMEO Control Relay 148 switch	10	X	X
13	Coil for electronic injection unit multi-function relay	15	X	X
14	Instruments lighting	7.5	X	X
15	+ 15 V switches - cluster lighting ALFA ROMEO Control Windscreen wash/wipe	15	X X X	X X X
16	Heater	20	X	X
17	Reverse light switch + 15 V roof switches Rear cigar lighter Sun roof	15	X	X
18	Front power windows	25	X	X
19	Passenger compartment roof lamp-passenger compartment spot light Clock Car radio - electric aerial Direction indicators	15	X X X X	X X X X
20	+ 30 V electronic injection control unit Fuel pump Rear window wiper	20	X	X
21	Stop lights Front cigar lighter Relay and fusebox lighting	15	X X X	X X X

EXTERNAL LIGHTING - REAR SIDE

(wiring diagram)

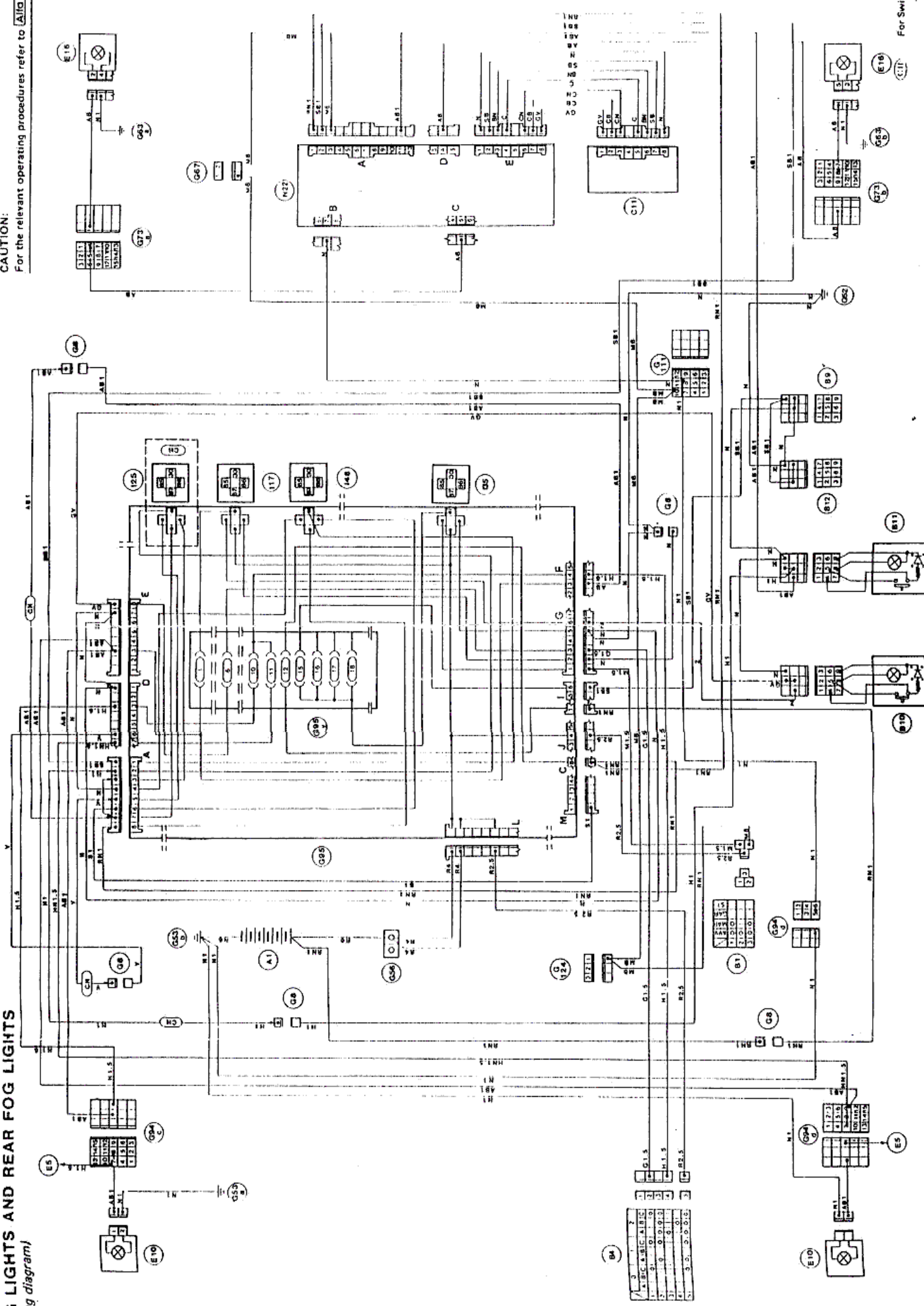
CAUTION:
For the relevant operating procedures refer to **ATO 75** manual.



FOG LIGHTS AND REAR FOG LIGHTS

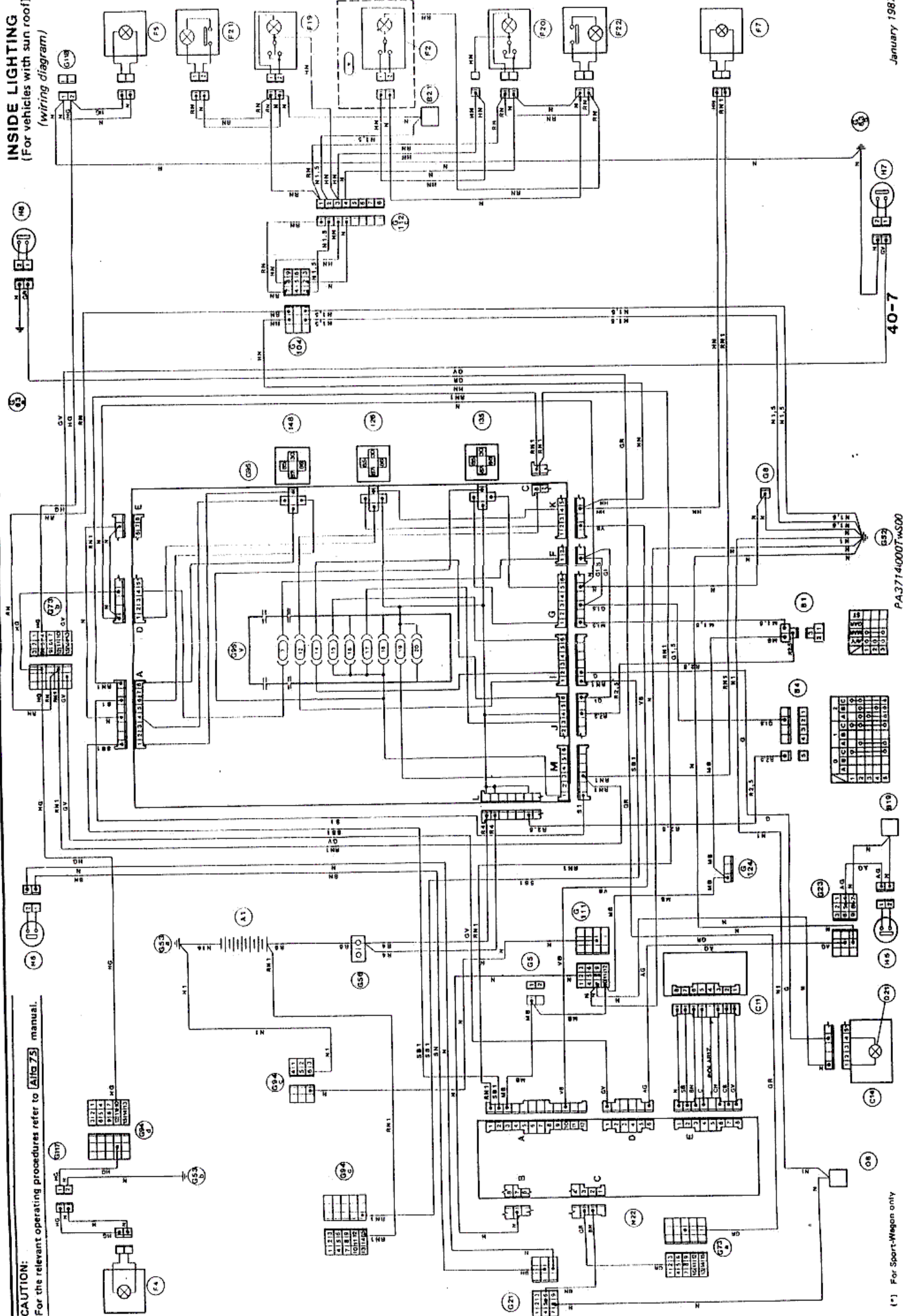
(wiring diagram)

CAUTION:
For the relevant operating procedures refer to **Alfa Romeo** manual.



ELECTRICAL SYSTEM

INSIDE LIGHTING
(For vehicles with sun roof)
(wiring diagram)



CAUTION:
For the relevant operating procedures refer to **Alfa 75** manual.

(*) For Sport-Wagon only

PA3714000T*WS00

40-7

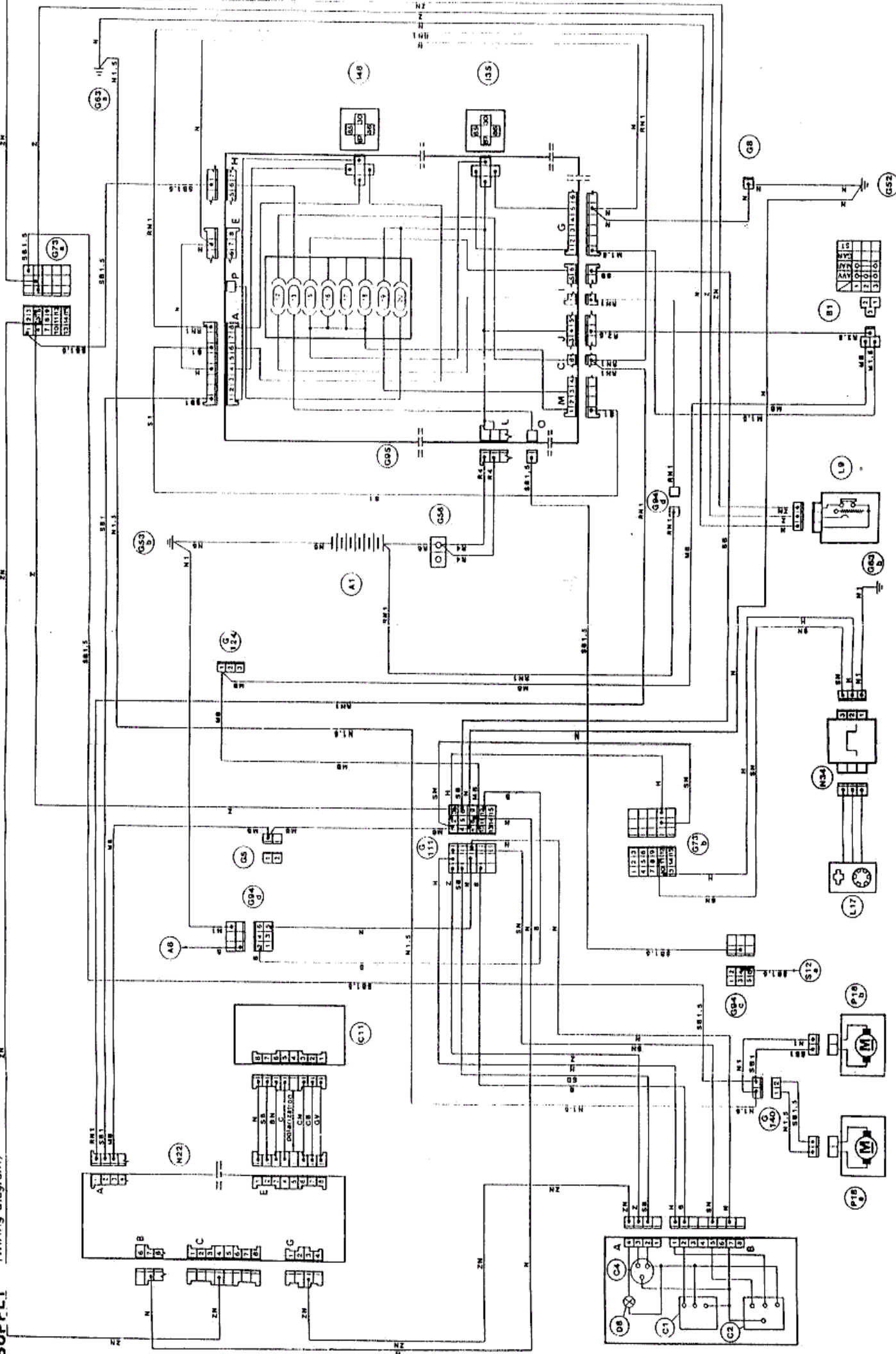
SENSORS AND SENDERS

(wiring diagram)

CAUTION:

For the relevant operating procedures refer to **AJF**

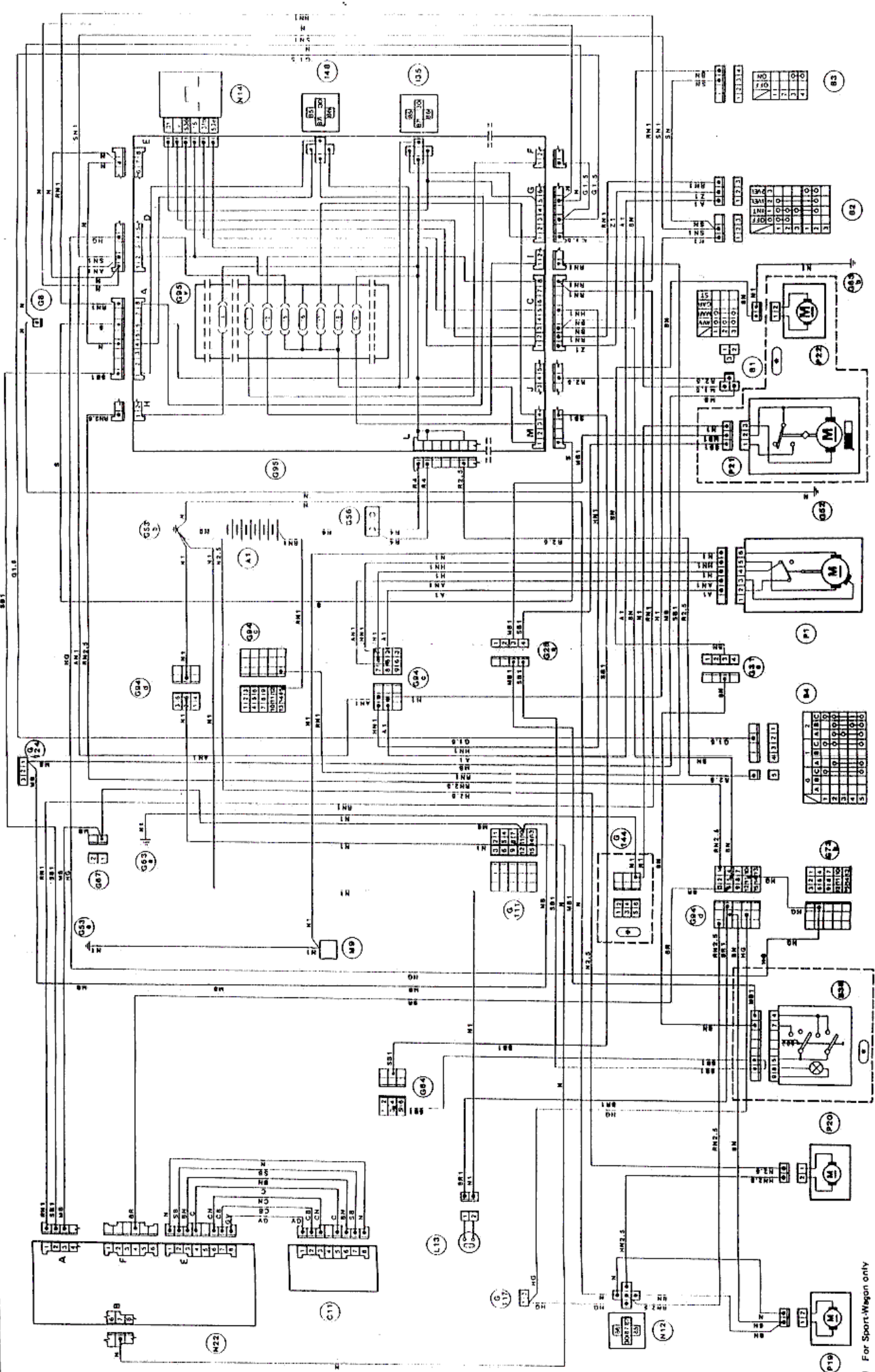
FUEL SUPPLY



WINDSCREEN WASH / WIPE AND HEADLIGHT WASHER

(wiring diagram)

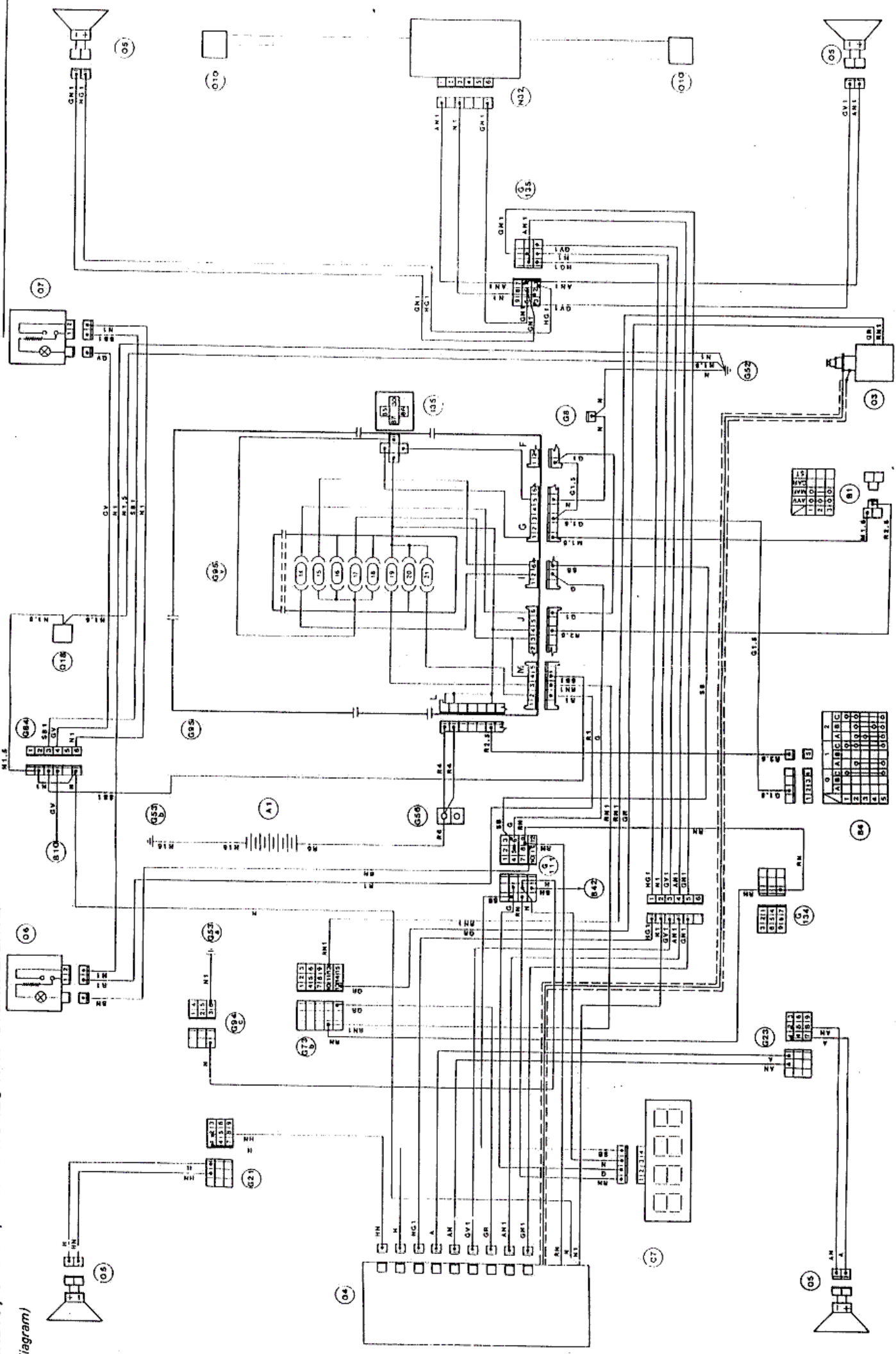
CAUTION:
For the relevant operating procedures refer to **Alfa 75** manual.



ELECTRIC ACCESSORIES CAR RADIO, CLOCK, HEADPHONES AND CIGAR LIGHTER

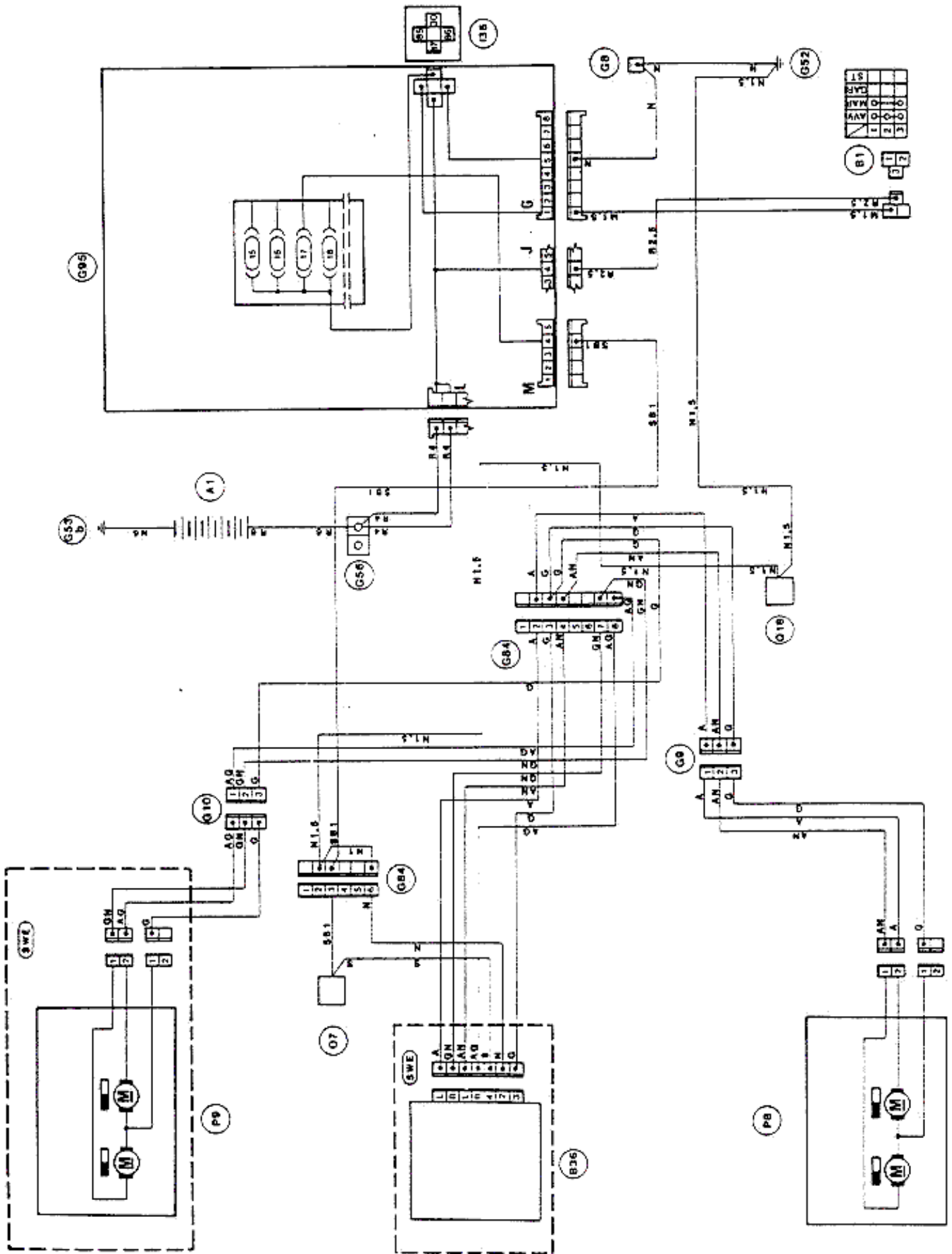
(wiring diagram)

CAUTION:
For the relevant operating procedures refer to **AI975** manual.



ELECTRICAL REARVIEW MIRRORS

(wiring diagram)

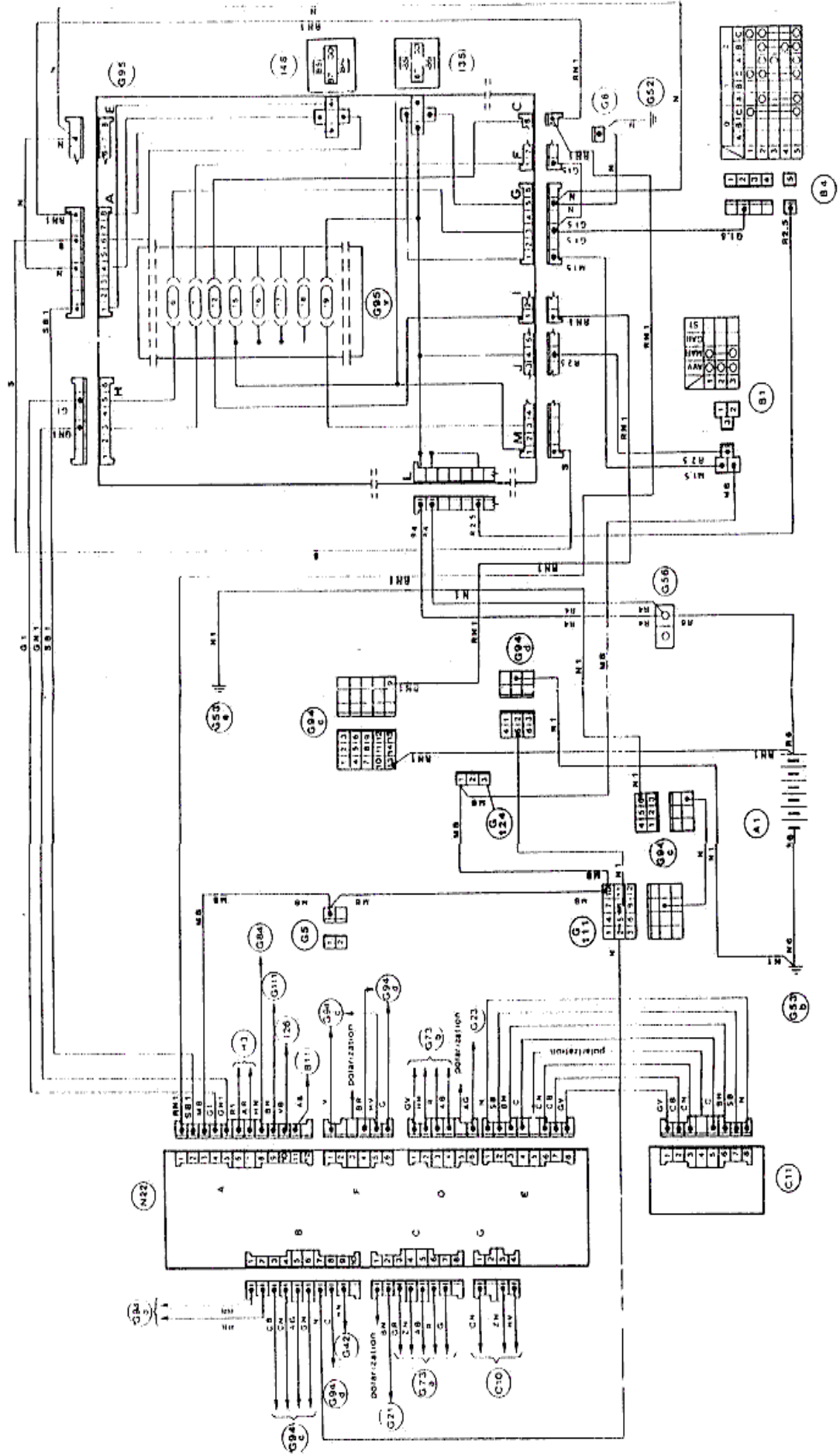


ELECTRONIC DEVICES

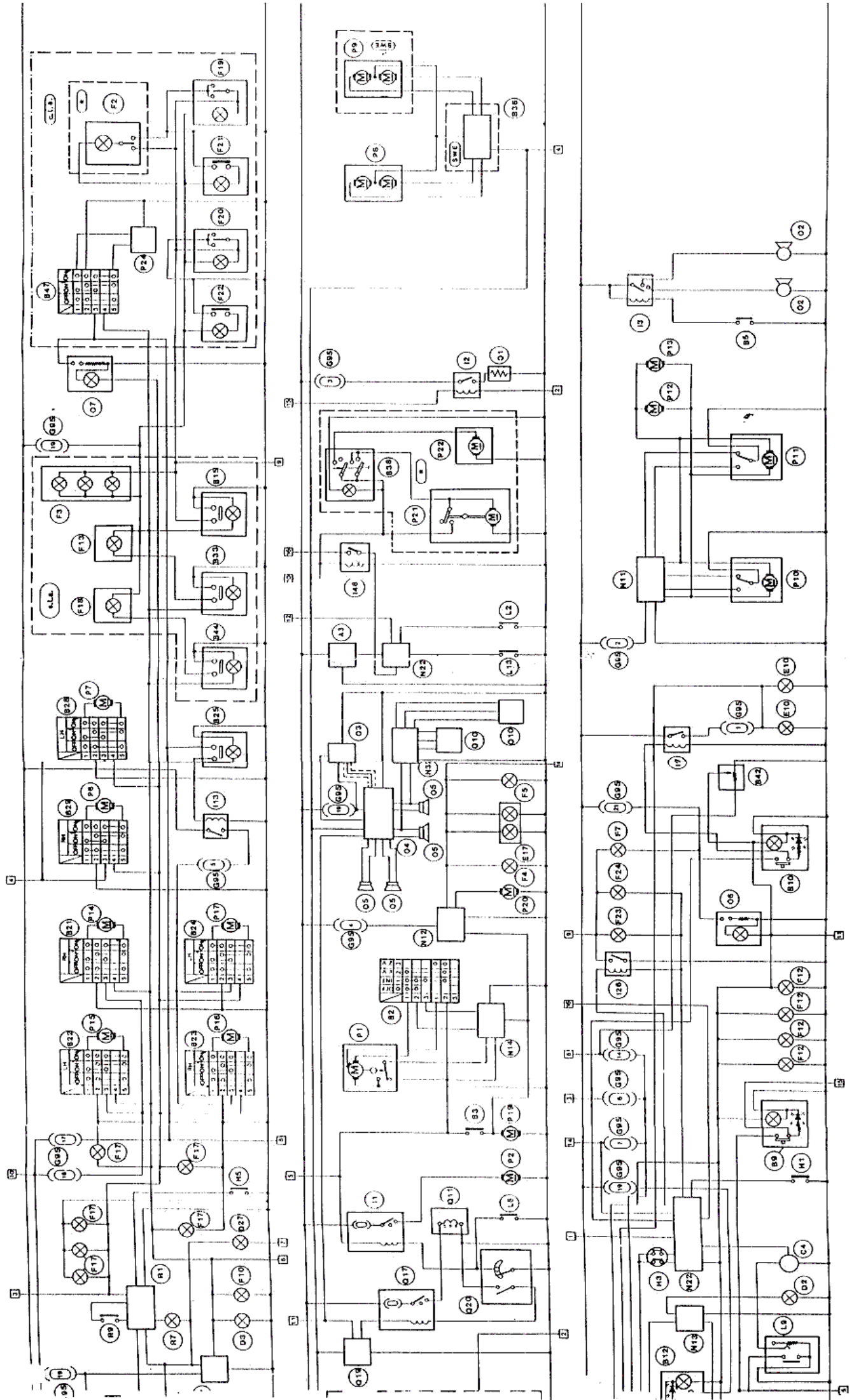
(wiring diagram)

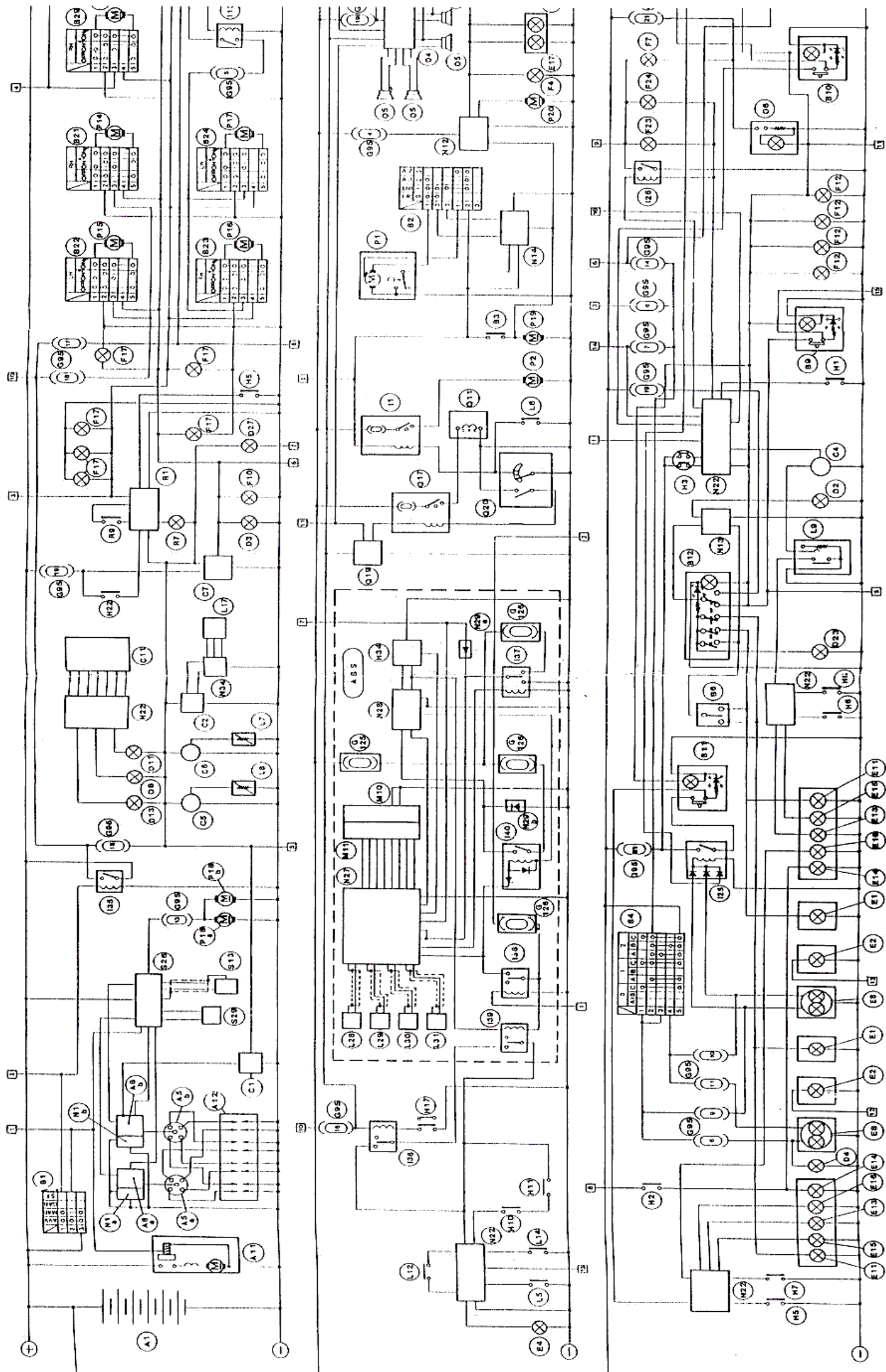
ALFA ROMEO CONTROL

CAUTION:
For the relevant operating procedures refer to **Alfa 75**
manual.



FUNCTIONAL DIAGRAM





s.t.a. = Without sun roof
 s.t.a. = With sun roof
 *) For Sport-Wagon only

KEY TO WIRING DIAGRAM

A: STARTING - CHARGING

A1	Battery
A2	Alternator
A3	Alternator with integral electronic voltage regulator
A4	Voltage regulator
A5	Ignition distributor
A5a	Ignition distributor A
A5b	Ignition distributor B
A6	Pulse generator
A7	Rotor
A8	Ignition coil
A8a	Ignition coil A
A8b	Ignition coil B
A9	Coil resistor
A10	2-way connector for coil
A11	Starter motor
A12	Spark plugs
A13	Pre-heating glow plugs
A14	Alternator cable terminal board

B: MANUAL ELECTRIC CONTROLS

B1	Ignition switch
B2	Windscreen wiper control switch
B3	Windshield washer and/or headlamp wash/wiper pump control switch
B4	Control switch for side lights, flashing, low/full beam headlamps
B5	Horn control switch
B6	Direction indicators control switch
B7	Low beam flashing control switch
B8	Full beam flashing control switch
B9	Heated rear window control switch
B10	Fog lamp control switch
B11	Rear fog lamp control switch
B12	Road hazard lights control switch
B13	Passenger compartment front roof lamp control switch
B14	Passenger compartment rear roof lamp control switch
B15	Passenger compartment roof lamp control switch
B16	Cluster lighting dimmer rheostat
B17	Gearbox oil level warning lamp switch
B18	Door lock control switch on front right door
B19	Door lock control switch on front left door
B20	Interior door locking switch
B21	Front right power window control switch
B22	Front left power window control switch
B23	Rear right power window control switch
B24	Rear left power window control switch
B25	Rear power window inhibitor switch
B26	Rear power window and rear cigar lighter inhibitor switch
B27	Front seat height control switch
B28	Front left backrest control switch
B29	Front right backrest control switch
B30	Door mirror control switch
B31	Antenna control switch
B32	Windshield washer pump control
B33	Front spot light switch
B34	Rear left spot light switch
B35	Rear right spot light switch
B36	Door mirror double control switch
B37	Parking light control switch
B38	Rear window wiper control switch
B39	Trip odometer recall microswitch
B40	Trip odometer reset microswitch
B41	VF electronic rheostat

B42	Lamp dimmer rheostat
B43	Internal control switch for door unlock
B44	Rear spot light control switch
B45	Identification light control switch
B46	Two note horns - normal horns control switch
B47	Sun roof motor control switch
B48	Intercom system control switch
B49	Speak/listen changeover switch
B50	Siren control switch
B51	Driver's seat heater control switch

C: INSTRUMENTS

C1	Electronic rev counter
C2	Electronic speedometer
C3	Voltmeter
C4	Fuel level gauge
C5	Oil pressure gauge
C6	Coolant temperature gauge
C7	Clock
C8	Space free for instrument
C9	Turbocharger air pressure gauge
C10	Cluster (*)
C11	ALFA ROMEO Control display
C12	Performance gauge display
C13	Optoelectronic cluster
C14	Warning lamp panel
(*)	C10 A/B/C/D/E/F Cluster connectors

D: WARNING LAMPS

D1	Alternator charge warning lamp
D2	Direction indicator warning lamp
D3	Side light warning lamp
D4	Full beam warning lamp
D5	Brake fluid low level warning lamp
D6	Heater/ventilation warning lamp
D7	Handbrake warning lamp
D8	Fuel reserve warning lamp
D9	Choke warning lamp
D10	Handbrake ON - brake fluid level warning lamp
D11	Engine oil minimum pressure warning lamp
D12	Pre-heating glow plug warning lamp
D13	Engine coolant high temperature warning lamp
D14	Maximum air pressure warning lamp
D15	Minimum fuel pressure warning lamp
D16	Free warning lamp
D17	Gear position warning lamp
D18	Manual injection advance warning lamp
D19	Brake pad wear warning lamp
D20	Rear drive engagement warning lamp
D21	ALFA ROMEO Control warning lamp
D22	Heated rear window warning lamp
D23	Hazard lights warning lamp
D24	Rear fog light warning lamp
D25	Fog light warning lamp
D26	Injection diagnosis warning lamp
D27	A.B.S. system warning lamp
D28	Identification light warning lamp
D29	Ignition diagnosis warning lamp (antiknocking)

E: EXTERNAL LIGHTS

E1	Front direction indicator
----	---------------------------

E. EXTERNAL LIGHTS (continued)

E2 Front side light
E3 Front direction indicator and side light
E4 Front side marker light
E5 Low beam light
E6 Low beam light with incorporated side light
E7 Full beam light
E8 Low and full beam light
E9 Side repeater
E10 Fog light
E11 Rear direction indicator
E12 Rear side marker light
E13 Rear parking light
E14 Reversing light
E15 Stop light
E16 Rear fog lamp
E17 Numberplate light
E18 Stop and rear side light
E19 Rear right light
E20 Rear left light
E21 Inspection light
E22 Identification light

F. INTERIOR LIGHTS

F1 Passenger compartment front roof lamp
F2 Passenger compartment rear roof lamp
F3 Passenger compartment roof lamp
F4 Engine compartment lamp
F5 Luggage compartment lamp
F6 Door open signalling light
F7 Fuse light
F8 Heater/ventilation controls lighting lamp
F9 Glovebox light
F10 Ashtray light
F11 Map light
F12 Cluster light
F13 Front spot light
F14 Rear right spot light
F15 Rear left spot light
F16 Ignition switch light
F17 Switch illumination light
F18 Rear spot light
F19 Passenger compartment roof lamp - right side
F20 Passenger compartment roof lamp - left side
F21 Reading spot light with switch - right side
F22 Reading light with switch - left side
F23 Floor lighting lamp on right internal valance panel
F24 Floor lighting lamp on left internal valance panel
F25 Vanity mirror roof lighting on sun visor
F26 Gearbox lever panel lighting lamp

G. FUSEBOX - CONNECTORS - GROUNDS

G1 Fusebox
G2 Auxiliary fusebox
G3 Fusebox terminal
G4 Free fusebox
G5 Multiple connector
G6 Multiple connector B - cluster
G7 Multiple connector R - cluster
G8 Single connector
G9 Connector between front left door wiring and door mirror switch
G10 Connector between front right door wiring and door mirror switch
G11 Connector between board wiring and rear wiring

G12 Connector between board wiring and Courtesy mirror switch
G13 Connector between board wiring and console wiring
G14 3-way connector between board wiring and door wiring
G15 2-way connector between board wiring and door wiring
G16 6-way connector between board wiring and door wiring
G17 Connector between board wiring and front right door wiring
G18 Connector between board wiring and front left door wiring
G19 Connector between board wiring and passenger compartment roof lamp
G20 Connector for front right door - locking motor
G21 Connector for front right door wiring
G22 Connector for front left door - locking motor
G23 Connector for front left door wiring
G24 Connector for rear right door - locking motor
G25 Connector for rear right door wiring
G26 Connector for rear left door - locking motor
G27 Connector for rear left door wiring
G28 Connector between front right door wiring and power window switch
G28a Connector between rear right door wiring and power window switch
G29 Connector between door lock wiring and rear power windows
G30 Connector for power windows and door lock
G31 Connector between front left door wiring and power window switch
G31a Connector between rear left door wiring and power window switch
G32 Connector between console wiring and rear right door wiring
G33 Connector between console wiring and rear left door wiring
G34 Connector for power window supply cable
G35 Connector between rear wiring and rear right tail light wiring
G36 Connector for power window switch cables
G37 Connector for combination switch on steering column
G38 Connector for air conditioner wiring
G39 Connector for clock
G40 Connector for door lock control unit
G41 Connector for tachymetric switch - rev counter pulse generator
G42 Connector between alternator and min engine oil pressure switch
G43 Connector for heater/ventilation control cables
G44 Connector for rear fog lamp
G45 Connector for headlight wash/wipe cables
G46 Connector for headlights
G47 Connector for right side - repeater cables
G48 Connector between electric door mirror and left side - repeater cables
G49 Connector available
G50 Provision for loud speaker cables
G51 Provision for car radio cables
G52 Fusebox ground
G53 Engine compartment ground
G53a Engine compartment ground - right side
G53b Engine compartment ground - left side
G54 Passenger compartment ground
G54a Passenger compartment ground - right side
G54b Passenger compartment ground - left side
G55 Valance panel ground
G56 Branch terminal board
G57 Provision for fuel cut-off solenoid valve
G58 Connector for cigar lighter
G59 Connector for electric door mirror
G60 Injection wiring ground
G61 Connector for ignition coil
G62 Clutch switch connector

ELECTRICAL SYSTEM

G: FUSEBOX - CONNECTORS - GROUNDS (continued)

- G63 Rear ground
- G63a Rear right ground
- G63b Rear left ground
- G64 Connector for Trip Computer - clock
- G65 Coaxial cable
- G66 Motronic wiring ground
- G67 Motronic connector
- G68 Connector A with board wiring
- G69 Connector B with board wiring
- G70 Connector C with board wiring
- G71 Connector for warning lamp on instruments
- G72 Connector for seat back adjustment wiring
- G73 Connector for rear services
- G73a Connector for right rear services
- G73b Connector for left rear services
- G74 Connectors between Telelevel rear wiring and ALFA ROMEO Control
- G75 Connector between right and left roof panel services
- G76 Connector for roof panel services - right side
- G77 Connector for roof panel services - left side
- G78 Connector for front door services wiring
- G79 Connector for rear door services wiring
- G80 Connector for board wiring
- G81 Connector for front left seat back adjustment
- G82 Connector for front right seat back adjustment
- G83 Rear connector for fast idle device
- G84 Console cable connector
- G84a Console cable connector (15 way)
- G84b Console cable connector (12-way)
- G85 Front services connector
- G86 Connector for passenger compartment roof lamp
- G87 Connector for rear door - locking motors
- G88 Connector for rear tail lights
- G89 Intermediate connector A
- G90 Intermediate connector B
- G91 Rear door sensors ground
- G92 Luggage compartment ground
- G93 Windshield frame upper cross member ground
- G94 Engine compartment connector
- G94a 10-way connector for engine compartment
- G94b 8-way connector for engine compartment
- G94c Engine compartment connector - right side
- G94d Engine compartment connector - left side
- G95 Central fusebox
- G95A Connector for switches
- G95B Connector for switches
- G95C Connector for cluster warning lamps
- G95D Connector for ALFA ROMEO Control
- G95E Connector for console
- G95F Connector for fog light - rear fog light
- G95G Connector for combination switch
- G95H Connector for LH interface
- G95I Connector for RH interface
- G95L Connector for clock - rheostats
- G95M Connector for sun - roof
- G95N Connector for battery
- G95O Connector for ignition switch
- G95P Connector for door services
- G95Q Connector for performance gauge
- G95R Connector for heated rear window
- G95S Connector for cluster
- G95V Fuses
- G96 Single connector for ALFA ROMEO Control - cluster
- G97 Connector for left doors services
- G98 Connector for right doors services
- G99a Connector for engine dashboard (A)
- G99b Connector for engine dashboard (B)
- G99c Connector for engine dashboard (C)
- G99d Connector for engine dashboard (D)
- G99e Connector for engine dashboard (E)
- G100 Connector for console - doors wiring
- G101 Trip Computer connector
- G102 Optoelectronic cluster connector
- G103 Connector for grounds and brakes fluid tank
- G104 Connector for roof panel left pillar
- G105 Connector for ashtray lamp
- G106 Seat grounds
- G107 Connector for fuel pump
- G108 CEM wiring ground
- G109 Injection wiring ground
- G110 Thermostat housing ground
- G111 Connector for dashboard instruments wiring
- G112a Connector A for roof wiring
- G112b Connector B for roof wiring
- G112c Connector C for roof wiring
- G112d Connector D for roof wiring
- G112e Connector E for roof wiring
- G113 Connector for front left-hand fender
- G114 Connector for outside temperature sensor
- G115 Connector for tow bar vehicle socket
- G116 Connector for tow bar trailer plug
- G117 Connector for engine compartment lamp
- G118 Connector for luggage compartment lamp
- G119 Connector for vanity mirror roof lamp
- G120 Connector for map reading lamp
- G121 Connector for vehicle wiring
- G122 Connector for ignition wiring
- G123 Pedal assembly ground
- G124 Connector for A.B.S. system
- G125 A.B.S. system free fuse holder
- G126 Fuse protecting A.B.S. system relays
- G127 Free fuse holder for identification lights
- G128 Free fuse holder for transceiver
- G129 Connector for two-note horns - normal horns in engine compartment left side
- G130 Switches connector
- G131 Ground on upper cover
- G132 Ground on manifold
- G133a Electronic injection - ignition wiring connector A
- G133b Electronic injection - ignition wiring connector B
- G134 Left front pillar connector
- G135 Rear window shelf wiring connector
- G136 Front side marker intermediate connector
- G137 Injection supply wiring connector
- G138 Headlights - combination switch connector
- G139 Intercom system control unit connector
- G140 Petrol pump attachment to floor services intermediate connector
- G141 Intermediate connector for rear sidemarker
- G142 Engine services connector
- G143 Central bulkhead ground
- G144 Backdoor wiring connector

H: SWITCHES

- H1 Handbrake switch
- H2 Reversing light switch
- H3 Stop light switch
- H4 Passenger compartment roof lamp switch on pillar
- H5 Left front door open indicator switch
- H6 Right front door open indicator switch
- H7 Left rear door open indicator switch
- H8 Right rear door open indicator switch
- H9 Right front brake pad switch
- H10 Left front brake pad switch
- H11 Right rear brake pad switch
- H12 Left rear brake pad switch
- H13 Choke switch
- H14 Injection advance switch
- H15 Gearbox oil low level switch (magnetic bulb)
- H16 Starting and back-up inhibitor switch

H: SWITCHES (continued)

H17 Brake fluid minimum level check switch
 H18 Fast-idle switch in gearbox
 H19 Low fuel pressure switch
 H20 Inertia switch
 H21 Clutch pedal fast idle switch
 H22 Ignition microswitch
 H23 Engine compartment lamp switch
 H24 Luggage compartment lamp switch
 H25 Glovebox light switch
 H26 Contact switch on rear door for rear window wiper
 H27 Contact switch on rear door for heated rear window
 H28 Carburettor contact/switch
 H29 Switch for rear drive engagement warning lamp
 H30 R.p.m. - activated microswitch
 H31 Switch for idle r.p.m. adjusting screw on carburettor
 H32 Microswitch on carburettor for inserting timing variator
 H33 Numberplate lights contact switch
 H34 A.B.S. system brake fluid tank switch
 H35 Fuel pre-heating filter thermal switch
 H36 Diesel fuel post-heating microswitch

I: RELAYS

I1 Engine cooling fan relay
 I2 Heated rear window relay
 I3 Horn relay
 I4 Headlamp wiper relay
 I5 Auxiliary relay for headlight wiper timer
 I6 Fast idle relay
 I7 Fuel pipe closing relay
 I8 Relay excluding retarded rotor arm
 I9 Glow plug relay
 I10 Starter inhibitor relay
 I11 Front power window and seat raising relay
 I12 Front power window relay
 I13 Rear power window relay
 I14 Brake fluid automatic warning lamp control relay
 I15 Low fuel pressure warning light relay
 I16 Headlight relay
 I17 Fog light relay
 I18 Double contact relay
 I19 Headlight washer pump relay
 I20 Beam changeover relay
 I21 Full beam exclusion relay
 I22 Low beam exclusion relay
 I23 Supplementary engine cooling fan relay
 I24 Direction and hazard lights relay
 I25 Rear fog light relay
 I26 Roof lamp relay
 I27 Seat height adjustment relay
 I28 Hazard lights relay
 I29 Fuel pump relay
 I30 Relay with CEM diode
 I31 Front power windows/heater relay
 I32 Advance variation control unit relay
 I33 Carburettor microswitch relay
 I34 Rear fog light exclusion relay
 I35 Key operated supply relay
 I36 Relay for brake wear and liquid level
 I37 Relay for A.B.S. system control unit
 I38 Auxiliary A.B.S. system relay
 I39 Brake fluid level warning lamp relay
 I40 A.B.S. system brake fluid pump relay
 I41 Two note horns - normal horns relay
 I42 Two note horns relay
 I43 Inspection lamp relay
 I44 Fuel pre heating device relay
 I45 External rearview mirrors defrosting relay

I46 Siren relay
 I47 Oil radiator electric fan relay
 I48 Ignition switch-operated relay for ALFA ROMEO Control and instruments
 I49 Low beam relay
 I50 Full beam relay

L: SENDERS

L1 Low fuel pressure sender
 L2 Low oil pressure sender
 L3 Max air pressure sender
 L4 Thermal switch for engine cooling electromagnetic coupling
 L5 Thermal switch for engine coolant max temperature warning lamp
 L6 Thermal switch for engine cooling electric fan
 L7 Engine coolant temperature gauge sender
 L8 Oil pressure gauge sender
 L9 Fuel level gauge sender
 L10 Sender for engine coolant temperature gauge and max temperature warning lamp contact
 L11 Retarded rotor arm cut-out pressure switch
 L12 Engine oil level sensor
 L13 Windscreen washing liquid level sensor
 L14 Engine coolant level sensor
 L15 Fuel flow sensor
 L16 Rev counter pulse generator
 L17 Speedometer pulse generator
 L18 Load sender
 L19 External temperature sensor
 L20 Photoelectric cell
 L21 Pierburg valve (Solenoid valve regulating the supercharging pressure)
 L22 Knocking sensor
 L23 Potentiometer
 L24 Coolant temperature sensor for ignition advance adjustment
 L25 Thermal switch for engine coolant temperature
 L26 Vacuum sensor
 L27 Temperature sensor
 L28 Front right brake sensor
 L29 Front left brake sensor
 L30 Rear right brake sensor
 L31 Rear left brake sensor
 L32 Supercharging air pressure sender
 L33 Two-level thermal switch

M: SOLENOIDS - SOLENOID VALVES

M1 Fuel cut-off solenoid valve
 M2 Injection pump solenoid valve
 M3 Solenoid with injection pump fuel cut-off microswitch
 M4 Fast idle solenoid
 M5 Engine stop solenoid
 M6 Fuel pipe closing solenoid
 M7 Door opening/closing solenoid
 M8 Auxiliary air device (for A/C equipped car)
 M9 Pierburg solenoid valve (for idle r.p.m.)
 M10 Brake fluid adjustment valves
 M11 Main A.B.S. valve

N: ELECTRONIC DEVICES - INTERMITTENCES - TIMERS

N1 Electronic ignition module
 N1a Electronic ignition module A
 N1b Electronic ignition module B
 N2 Connector for Marelli module
 N3 Capacitor for electronic ignition
 N4 Connector for Bosch module
 N5 Tachymetric switch device
 N6 Pre heating glow plug timer
 N7 Trip Computer
 N8 ALFA ROMEO Control

N: ELECTRONIC DEVICES - INTERMITTENCES - TIMERS

(continued)

N9	Brake pad wear control unit
N10	Roof lamp timer
N11	Door lock control unit
N12	Headlamp wiper timer
N13	Road hazard and direction indicators intermittence
N14	Electronic windscreen wiper intermittence
N15	Electronic windscreen wiper intermittence and warning light control
N16	Tachymetric control unit
N17	Trip control unit for fuel flow
N18	Electronic device for headlamps and flashing switching
N19	Performance gauge control unit
N20	Advance variation control unit
N21	Power module
N22	ALFA ROMEO Control control unit
N23	Ignition control unit
N24	Pulse converter
N25	Rear fog light device
N26	Brake pad wear warning lamp intermittence device
N27	A B S system control unit
N28	Brake fluid pump device
N29	Free diode holder connection
N29a	Free diode holder connection A
N29b	Free diode holder connection B
N30	Two-note horns control unit
N31	Fuel pre-heating device
N32	Headphones connection control unit
N33	Sectioned heated rear window defrost control unit
N34	Pulse generator control unit
N35	Coding control unit
N36	intercom system control unit

O: ANCILLARY EQUIPMENT

O1	Heated rear window
O2	Horn
O3	Electrically-operated antenna
O4	Radio
O5	Speaker
O6	Cigar lighter
O7	Rear cigar lighter
O8	Two-note horns
O9	Transceiver
O10	Rear headphones
O11	Siren
O12	External loudspeaker - microphone
O13	Internal loudspeaker - microphone
O14	Driver's seat heating pads

P: ELECTRIC MOTORS

P1	Windshield wiper motor
P2	Engine cooling fan motor
P3	Engine cooling fan electromagnetic drive
P4	Headlamp wiper motor
P5	Front left seat adjustment motor
P6	Front right backrest adjustment motor
P7	Front left backrest adjustment motor
P8	Motor for electric door mirror - right side
P9	Motor for electric door mirror - left side
P10	Front right door locking motor
P11	Front left door locking motor
P12	Rear right door locking motor
P13	Rear left door locking motor
P14	Front right power window motor
P15	Front left power window motor

P16	Rear right power window motor
P17	Rear left power window motor
P18a	Electric fuel pump
P18b	Auxiliary electric fuel pump
P19	Windscreen washer pump
P20	Headlamp washer pump
P21	Rear window wiper motor
P22	Rear window washer pump
P23	Supplementary engine cooling fan motor
P24	Sun roof motor
P25	Oil radiator electric fan

Q: HEAT/VENT - AIR CONDITIONING SYSTEM

Q1	Heater/ventilation electric fan
Q2	Pneumatic pushbutton control for air conditioning
Q3	Pneumatic pushbutton control for ventilation
Q4	Heater/ventilation electric fan control
Q5	Heater/ventilation blower fan speed adjustment resistance
Q6	Switch on flap for enabling heater blower fan
Q7	Fluid thermostat
Q8	Electromagnetic coupling pressure switch
Q9	Minimum pressure switch
Q10	Maximum pressure switch
Q11	Compressor electromagnetic coupling
Q12	Thermal switch for exclusion of compressor electromagnetic coupling
Q13	Supplementary conditioner fan
Q14	Relay for supplementary conditioner fan and electromagnetic compressor coupling
Q15	Heater/ventilation electric fan relay
Q16	Relay for simultaneous control of engine cooling fan and supplementary fan
Q17	Relay for simultaneous control of engine cooling electromagnetic coupling and supplementary fan
Q18	Heater
Q19	Air conditioner
Q20	Min and max pressure switch (Trinary)

R: SAFETY DEVICES

R1	Seat belt device
R2	Catalytic converter temperature indicator
R3	Thermocouple for catalytic converter temperature detection
R4	Unfastened seat belt buzzer
R5	Open door buzzer
R6	Mileometer
R7	Seat belt warning lamp
R8	30,000 mile warning lamp
R9	Switch on seat belts
R10	Catalytic converter maximum temperature warning lamp
R11	Front left door switch for seat belt device

S: ELECTRONIC FUEL INJECTION

S1	Injection control unit
S2	Relay set
S3	Injectors
S4	Cold start-up electroinjector
S5	Air flow sensor
S6	Accelerator throttle switch
S7	Engine coolant temperature sensor
S8	Thermo-time switch
S9	Auxiliary air device
S10	Lambda sensor
S11	Matronic Control unit

S: ELECTRONIC FUEL INJECTION (continued)

S12 Motronic relay
S12a Fuel pump Motronic relay
S12b Motronic relay with diode
S12c Timing variator device Motronic relay
S12d Auxiliary Motronic relay
S13 Timing sensor
S14 Rev sensor
S15 Timing variator device
S16 Altitude compensation device
S17 CEM control unit
S17a CEM Control unit white connector

S17b CEM control unit black connector
S18 Throttle angle sensor
S19 Hall sensor
S20 Deton sensor
S21 Throttle actuator
S22 Injector terminal
S23 Injector resistor
S24 Injector terminal board
S25 Autodiagnosis connector
S26 Injection system
S27 Lambda sensor resistance
S28 Injection control relay
S29 Minimum adjustment actuator